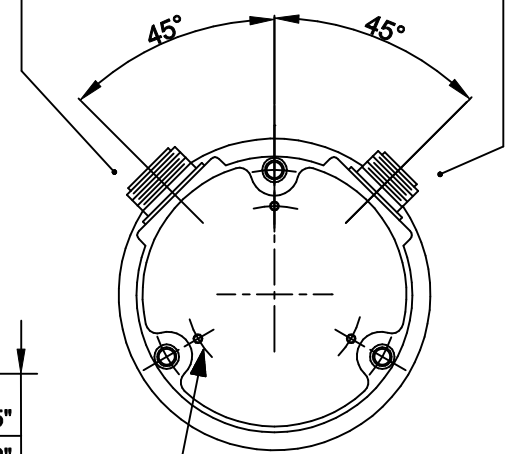
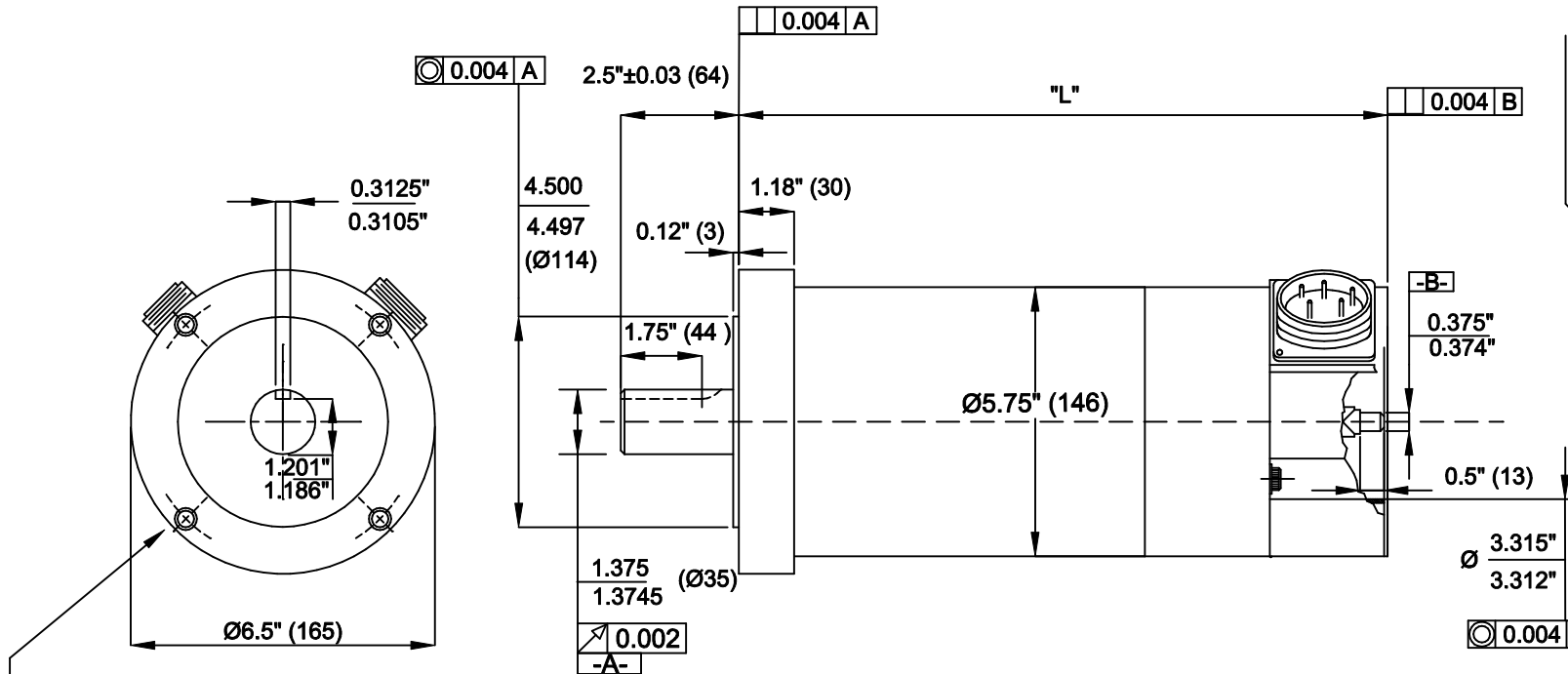


Tacho Receptacle MS3102E-20-33P

Motor Receptacle MS3102E-28-10P



(3) Holes - #8-32
equispaced as shown
on 3.687" B.C.
(EndCover Mounting Holes)

3/8-16 thread x 0.75" min deep
(4) Holes equispaced on $\text{Ø}5.875''$ B.C.

- Notes:-
1. With a positive current applied to pin C with respect to pin D, rotation shall be clockwise facing mounting end of motor. With this rotation a positive voltage shall be generated on pin J of tach with respect to pin K.
 2. Motor can be mounted in any position
 3. Thermostat set to open at $90^\circ\text{C} \pm 6^\circ\text{C}$ & close at $70^\circ \pm 6^\circ\text{C}$ falling. N.C. contacts rated to 3.0 Amps, 250V. AC., pins A & F
 4. All dimensions in inches with mm in ().

Model	Length "L" Max
TT-4233	11.68" (297)
TT-4234	12.68" (322)
TT-4235	13.68" (347)
TT-4236	14.68" (373)
TT-4237	15.68" (398)
TT-4238	16.68" (424)
TT-4239	17.68" (449)

				Tolerances. X.XX = ± 0.015 X.XXX = ± 0.005 Ang. Dim. = $\pm 1^\circ$		Scale : NTS		Weight :
				Date 25/11/05		Material : SEE NOTES Remove all burrs and sharp corners		
				Name POB		Motor Outline		
				App'd		TT 423X-1011		
Issue	ECO. No.	Date	Name	App'd	Norm	TT 423X-1011		
bobby servo-electronic ag						TT 423X-1011		
						Sheet 1 of 1		