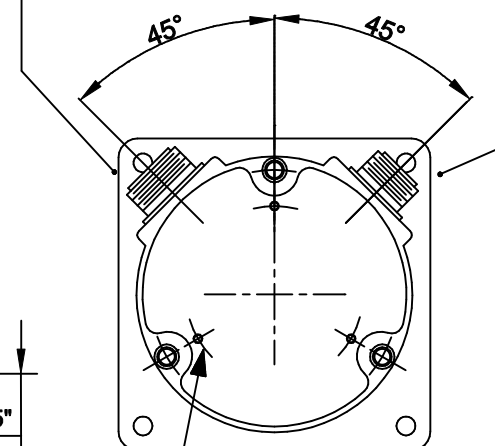
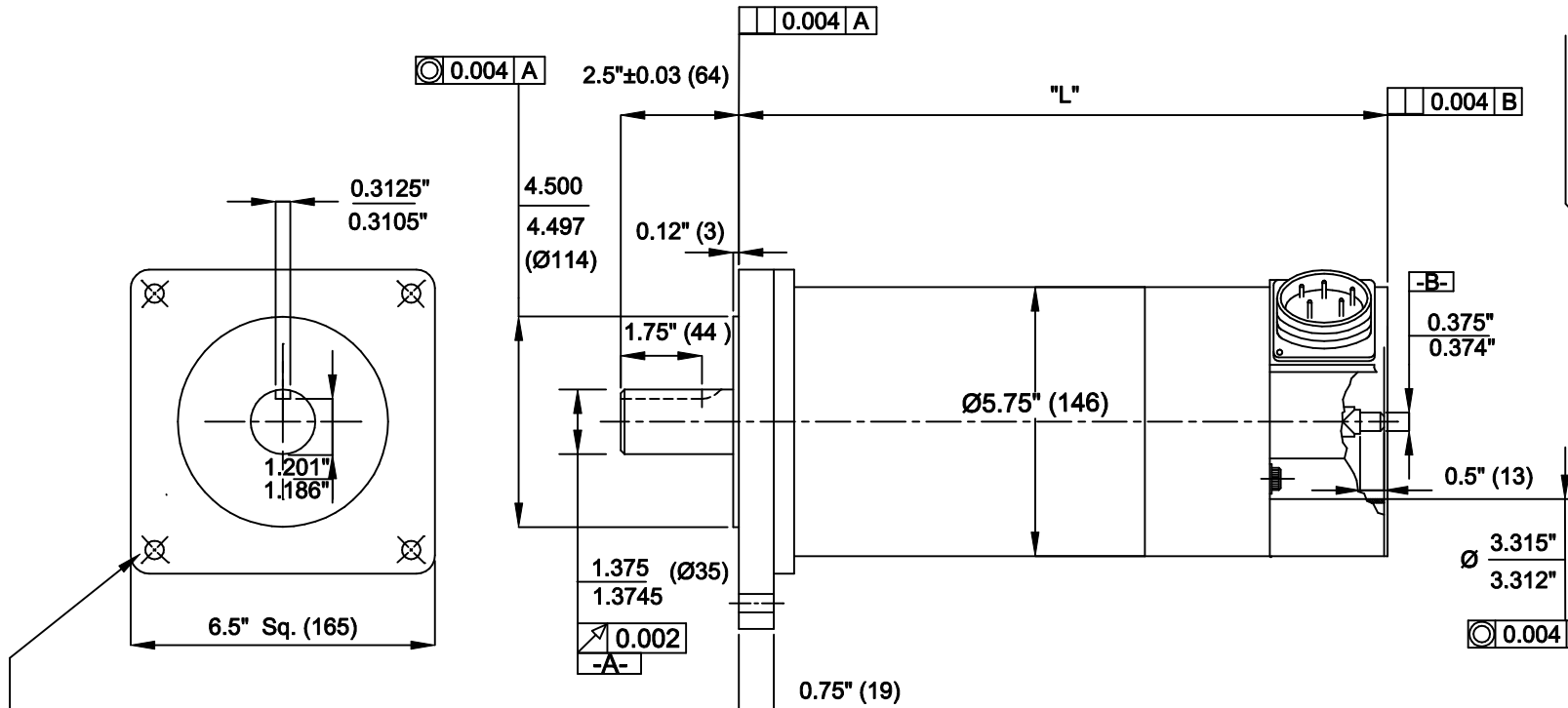


Tacho Receptacle MS3102E-20-33P

Motor Receptacle MS3102E-28-10P



(3) Holes - #8-32
equispaced as shown
on 3.687" B.C.
(EndCover Mounting Holes)

0.406 (10) dia. thru' (4) holes,
equispaced on Ø 7.75" (197) B.C.

Model	Length "L" Max
TT-4203	11.68" (297)
TT-4204	12.68" (322)
TT-4205	13.68" (347)
TT-4206	14.68" (373)
TT-4207	15.68" (398)
TT-4208	16.68" (424)
TT-4209	17.68" (449)

Notes:-

1. With a positive current applied to pin C with respect to pin D, rotation shall be clockwise facing mounting end of motor. With this rotation a positive voltage shall be generated on pin J of tach with respect to pin K.
2. Motor can be mounted in any position
3. Thermostat set to open at 90°C ± 6°C & close at 70° ± 6°C falling. N.C. contacts rated to 3.0 Amps, 250V. AC., pins A & F
4. All dimensions in inches with mm in ().

		Tolerances. X.XX = ± 0.015 X.XXX = ± 0.005 Ang. Dim. = ± 1°		Scale : NTS		Weight :
				Material : SEE NOTES Remove all burrs and sharp corners		
		Date 25/11/05		Name POB		
		App'd				
Issue	ECO. No.	Date	Name	App'd	Norm	
bobby servo-electronic ag						Motor Outline TT 4202-1021 TT 420X-1021
						Sheet 1 of 1