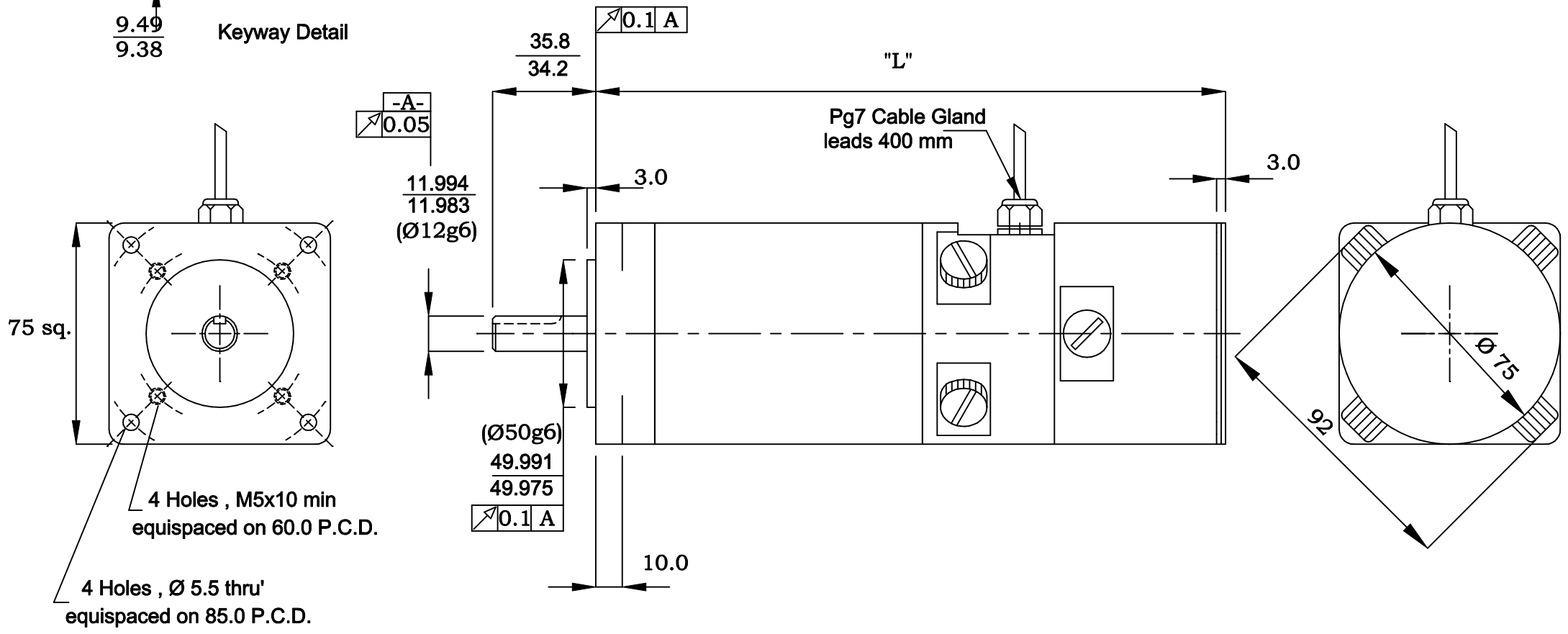


Keyway Detail

Motor Part Number	Length "L"
M4-2003x-00001-000	159
M4-2004x-00001-000	177
M4-2005x-00001-000	196
M4-2006x-00001-000	214



Notes :-

1. With a positive current applied to green lead with respect to orange lead of motor, rotation shall be clockwise facing mounting end of motor.  
With this rotation, a positive voltage shall be generated on black lead of tach with respect to white lead.
2. Motor can be mounted in any position.

				Tolerances. X.X = ± 0.3 mm X.XX = ± 0.1 mm Ang. Dim. = ± 1°		Scale : NTS		Weight :	
				Date		Name		Material :	
				22/6/06		POB		Remove all burrs and sharp corners	
1				App'd				Outline - Rare Earth Magnet Servomotor	
Issue				ECO. No.		Date		Name	
								M4-200X-00001-000	
								M4-200X-00001-000	
								Sheet 1 of 1	
								bobry servo-electronic ag	