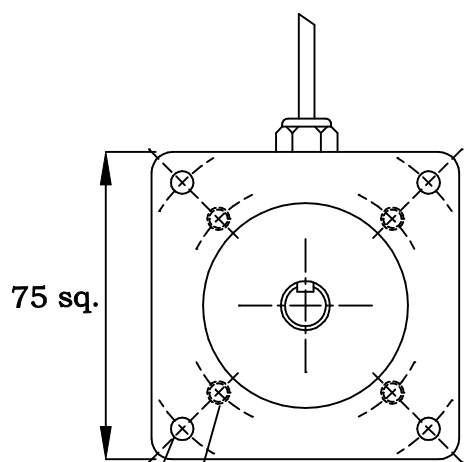


Keyway Detail

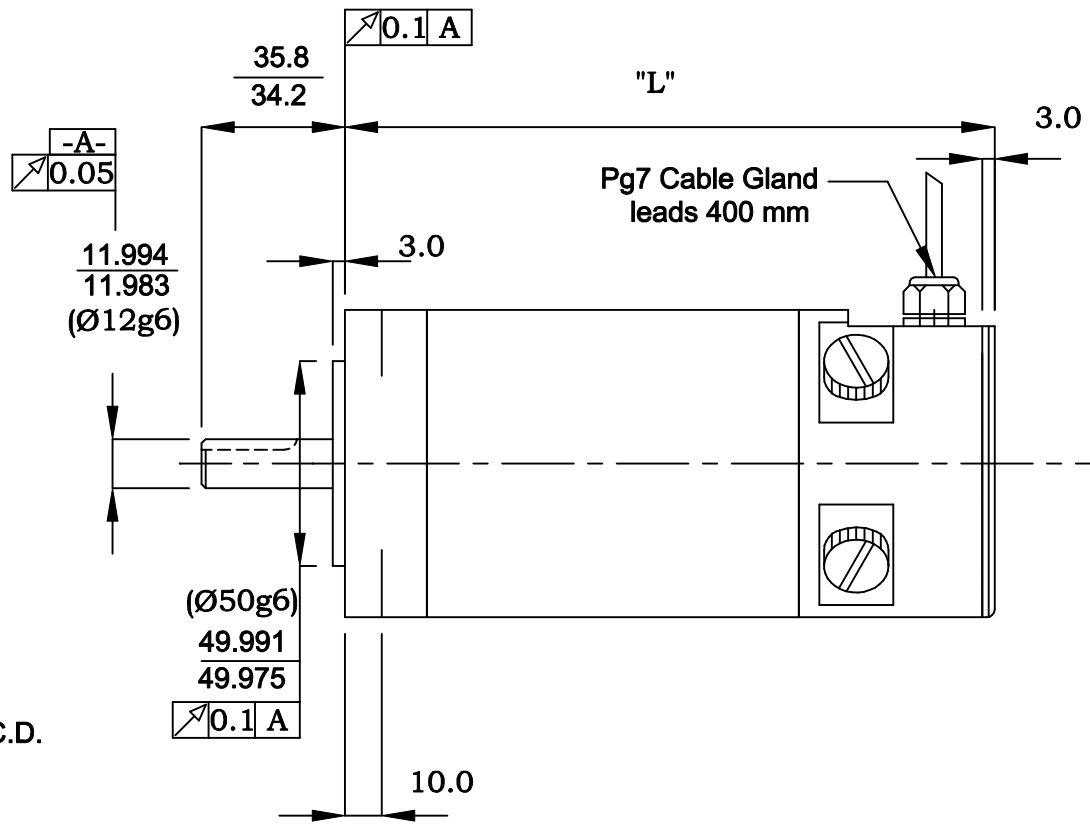
Motor Part Number	Length "L"
M4-2003x-00000-000	104
M4-2004x-00000-000	122
M4-2005x-00000-000	141
M4-2006x-00000-000	159



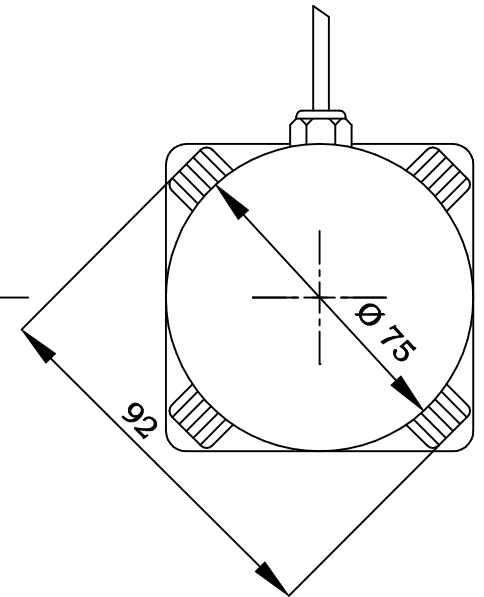
75 sq.

4 Holes , M5x10 min
equispaced on 60.0 P.C.D.

4 Holes , Ø 5.5 thru'
equispaced on 85.0 P.C.D.



Pg7 Cable Gland
leads 400 mm



Notes :-

1. With a positive current applied to green lead with respect to orange lead of motor, rotation shall be clockwise facing mounting end of motor.
2. Motor can be mounted in any position.

				Tolerances. X.X = ± 0.3 mm X.XX = ± 0.1 mm Ang. Dim. = ± 1°		Scale : NTS		Weight :
				Date 26/1/07		Material : Remove all burrs and sharp corners		
				Name POB		Outline - Rare Earth Magnet Servomotor M4-200X-00000-000		
				Issue 1		M4-200X-00000-000		
				ECO. No.		Sheet 1 of 1		
				Date		bobry servo-electronic ag		
				Name		M4-200X-00000-000		
				App'd				
				Norm				