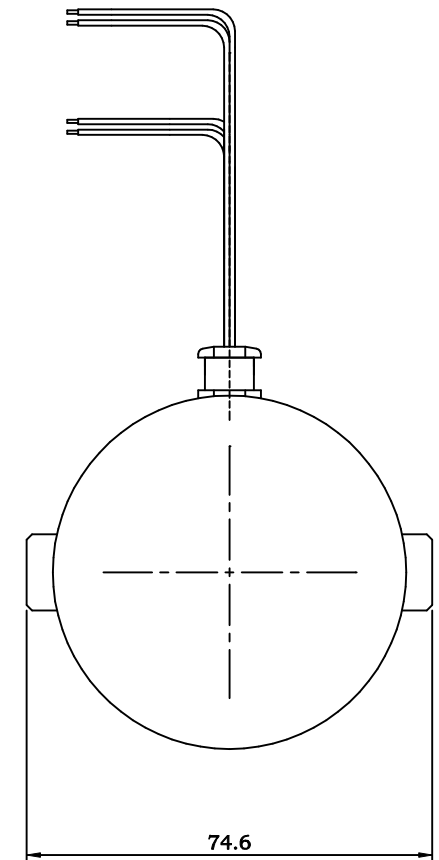


**TACHOGENERATOR
LEAD CONFIGURATION**

Size :- 24 AWG
Black :- + ve
White :- - ve

POWER LEAD CONFIGURATION

Size :- 20 AWG
Red :- + ve
Black :- - ve



Motor Model Number	Length "L"
C4-161x-00001-000	151
C4-162x-00001-000	179

Notes:

- Clockwise rotation as viewed from output shaft with positive voltage applied to red lead with respect to black lead.
With this rotation, a positive voltage is generated on black lead of tacho with respect to white lead.

2. All dimensions in mm.

		Tolerances. X.X = ± 0.3 mm X.XX = ± 0.1 mm Ang. Dim. = ± 1°		Scale : NTS		Weight :
		Date	Name	Material : Remove all burrs and sharp corners		
		Drawn	22/3/07	Rare Earth Motor , C4-16X		
		App'd		C4-16X-00001-000		
Iss		A	'1			Sheet 1 of 1
boby servo-electronic ag						