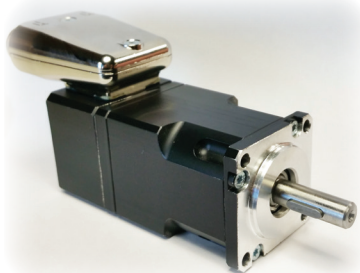




MACK
TRON

MKT
**POWERED
BRUSHLESS
MOTOR**



CONCEPT 05/02/2016

P. N. : D.S. / 05.02.16 / MKT / 00

MODEL			MKT40		MKT60	
SIZE			M	L	M	L
Mo	stall Torque ($\Delta t=100^{\circ}\text{C}$)	(Nm)	0.15	0.29	0.6	1.2
Mpk	Peak Stall Torque (x 2 sec.)	(Nm)	0.45	0.9	1.8	2.6
Nn	Rated Speed	(Rpm)	3000	3000	3000	3000
Mn	Rated torque at Nn ($\Delta t=100^{\circ}\text{C}$)	(Nm)				
Power Supply (grounded systems only)			48 Vdc			
Logic Supply (for back-up only)			9-30 Vdc - 200mA			
Logic Supply (for back-up + brake)			24 Vdc ($\pm 5\%$) - 800mA max			
J	Rotor Inertia	(Kgm ²)-10 ⁻⁴	0.025	0.38	0.14	0.24
J_B	Rotor Inertia with brake	(Kgm ²)-10 ⁻⁴	N.A.	N.A.	0.15	0.25
BRAKE stall Torque ($\Delta t=100^{\circ}\text{C}$)			N.A.		2 Nm (0.5 A _{0c})	

STANDARD FEATURES

- ◆ Motor range up to **400W**, 8 poles sinusoidal B.E.M.F. and waveform current
- ◆ **EC** Commutation Encoder feedback
- ◆ **CB** Can BUS
- ◆ Device status notification with LED bicolor
- ◆ Over/Undervoltage, overtemperature, overcurrent and I²t monitoring
- ◆ **Speeder-One**[®] software interface
- ◆ **USB** access for setting and monitoring
- ◆ Operating frequency 8KHz
- ◆ Bandwidth loop: 2KHz current / 200Hz velocity
- ◆ Ambient temp.¹:.....- operating at rated data: 0 + 40°C(no derating)
 - rated & pk current derating: 40 + 55°C max (2.5% / °C)
 - storage -20 + 55°C
- ◆ Ambient Humidity¹:.....- operating & storage 85% RH max
- ◆ Altitude (a.m.s.l.):.....- operating & storage 1000m
 - rated & pk current derating: up to 2500m (1.5% / 100m)
- ◆ Enclosure protection:.....IP65
- ◆ Storage duration:.....1 year max²

OPTIONS

- ◆ Holding brakes
- ◆ Special flanges and shafts
- ◆ **JH** Higher rotor inertia (additional)
- ◆ **ETC** Ether CAT control mode
- ◆ **STO** Safe Torque Off safety function

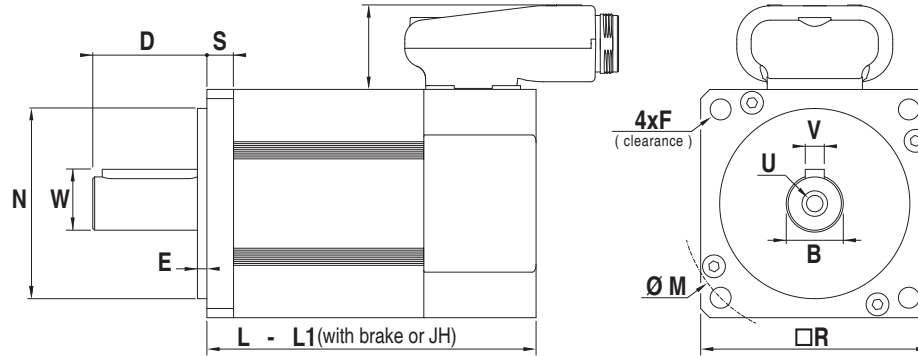
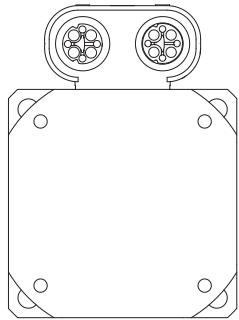
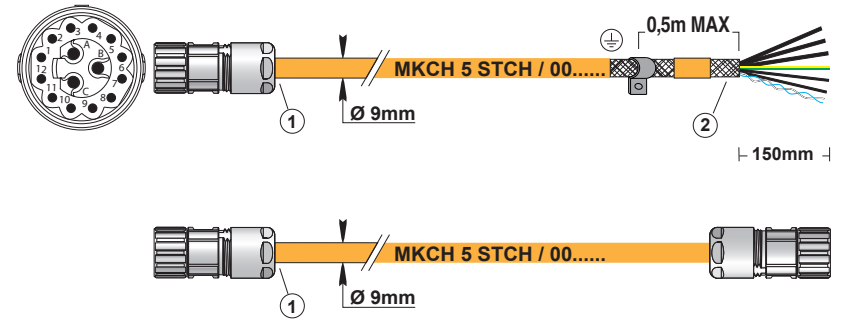
CABLE SPEC.

- ◆ Mobile usage for chain tracks, flame / oil resistance
- ◆ External sheating: PUR polyurethane
- ◆ Cycles: 5 million ◆ Minimum bending radius: 7 x Ø
- ◆ Operating temperature: -25°C / +80°C
- ◆ Trail speed: 300m / min. max ◆ Acceleration: 20m / sec²
- ◆ **UL** **RoHS** **CE** **DIN VDE**

NOTE: ¹ Free from condensation ² After one year off storage the electrolytic capacitors must be re-formed. Contact AXOR for details.



TYPE	Mo Nm	L mm	L1 mm	B _{h7} mm	D mm	V _{P9} mm	W mm	U mm	N _{h6} mm	M mm	F mm	E mm	S mm	R mm
MKSM 40 M	0.16	89	-	8	25	3 x 12	9.2	M3 x 6	30	46	4.3	2.5	5	42 □
MKSM 40 L	0.32	103	-											
MKSM 60 M	0.65	86	120	14	30	5 x 20	16	M5 x 10	50	70	5.5	3	8	60 □
MKSM 60 L	1.3	100	135											



CONCEPT 05/01/2016

MACKTRON				HARDWARE CODE				SOFTWARE CODE			MACKTRON CABLE		ORDERING CODE				
MKT	60	-	M	30 / 48	000D00X - 0	ENC 1	Sxxx	(X000 / X000 / X000)			MKTC	5STCH / 00 - 030	Sxxx				
LINE	MODEL: 40 - 60	SIZE: M - L	SPEED: 30 = 3000 Rpm	VOLTAGE: 48 = 48V _{DC}	MOUNTING FLANGE: 000 = standard 001÷499 = IEC metric 501÷999 = Reserved	MOUNTING HOLES: D = B5 thru holes (std) C = B14 threaded holes (opt)	SHAFT KEY: X = with key (std) W = w/out key (opt)	SHAFT DIAMETER: 00 = standard 01÷49 = IEC metric 51÷99 = Reserved	TROPICALIZED: 0 = w/out (std) T = with (opt)	SPECIFIC NUMBER (opt)	FIRMWARE VERSION	SOFTWARE VERSION	SETTING FILE	CABLE LINE: Preassembled Hybrid cables	ASSEMBLY MOTOR SIDE: 5STCH = 5 Arms cable + M15 Springtec connector 12SCH = 12 Arms cable + M23 Screw connector 12BCH = 12 Arms cable + Byonet connector	ASSEMBLY DRIVE SIDE: 00 = Flying leads (no connector)	SPECIFIC: LENGHT: 030 = 3m 050 = 5m 070 = 7m 100 = 10m