

SVTS C Series

Through-bore Slip Rings



THROUGH-BORE



MANY CUSTOMISATIONS



POWER, SIGNALS & FIELDBUS

The hollow shaft Slip Rings C Series provides an economical readily available solution when a compact through-bore configuration is required to be easily mounted on the customers' mechanics. Available in a wide range of sizes and models starting from 3 mm up to over 100 mm through-bore diameter. The use of fibre brush technology and the ability to use gold-gold technology for signal circuits ensure long life and low electrical noise allowing high data rate field bus transmission. The extreme flexibility of SRH series rotary joints also makes it possible to customise configurations, such as for the use of special cables or connectors, at the customer's request.

Benefits

Transmission of electric power/signals and fieldbuses in one unit

Mountable on the shaft

Many sizes

Many customisations

Combinable with fluidic rotary joints and FORJ

Cost-effective

Product code (detailed coding system on page 9)

S	S	S	S	S	S	S	S	S	S	Se								
SVTS	C	BB	-	C	-	D	-	EE	/	FF	-	GGGG	/	HHHH	-	II	-	XXX

1	Series	3	Protection ¹	5	Power circuits	7	Cable length - brushes side	9	Temperature range ²
2	Model	4	Flange types	6	Signal circuits	8	Cable length - rings side	10	Special options ³

¹ IP51 [S]; IP54 [T]; IP65 [U]
² Standard [ST]; Extended [ET]
³ Pneumatic 6mm [OP1]; pneumatic 10mm [OP2]; Ethernet 100BaseT [E1M]; Ethernet 1000BaseT [E1G]

Main applications

Packaging	Machine tools
Automatic machines	Rotary tables
Filling machines	Robots
Capping machines	Palletisers
Labelling machines	Medical / pharmaceutical
Converting machines	Cable reels

Features

Current	
Power	10A P: AWG16 15A P1 continuous: AWG14 20A P2 peak @ 60 sec: AWG14
Signals	2A: AWG26 5A: AWG22
Cables	Tin plated (power circuits); silver plated (signal circuits) PTFE insulated / colour coded
Cables length	Standard: 500mm*, custom cable length increase possible as multiples of 500mm*
Insulation resistance	
Power	> 1000 MΩ / 500 VDC
Signals	> 500 MΩ / 500 VDC
Dynamic contact resistance	< 0,01 Ω
Bearings	Steel
Housing	ABS (hard plastic)
Temperature	-20°C / +80°C (-40°C as option)
Protection	IP51 (IP54 and IP65 as option)
Expected lifetime	10 ⁸ ** revolutions (depending on speed, environmental conditions and size)

SVTS C 01, SVTS C 02: 250mm SVTS C01, SVTS C 02: 10⁷ revolutions

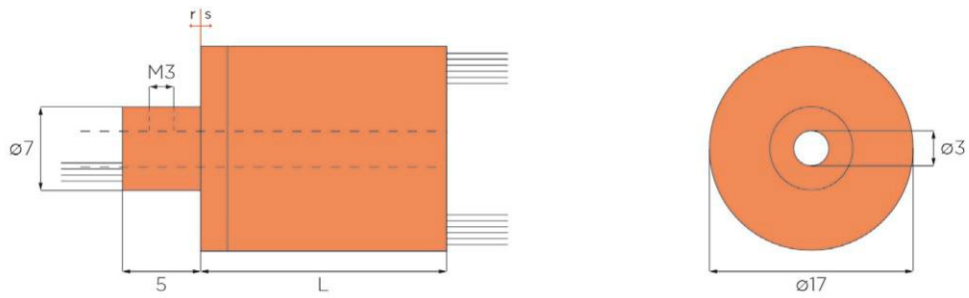
SVTS C 01

Model	Number of circuits			L
	Total	Power	Signals 2A	
SVTS C 01-S-A-00/02	2	-	2	13,3
SVTS C 01-S-A-00/03	3	-	3	21
SVTS C 01-S-A-00/06	6	-	6	21
SVTS C 01-S-A-00/08	8	-	8	21

Transmission of		
Electric	Fieldbus	Fluidic (combined solutions)
Signals	Ethernet	Air
	Profinet	Oil
	Canbus	Gas
	RS 232	Water

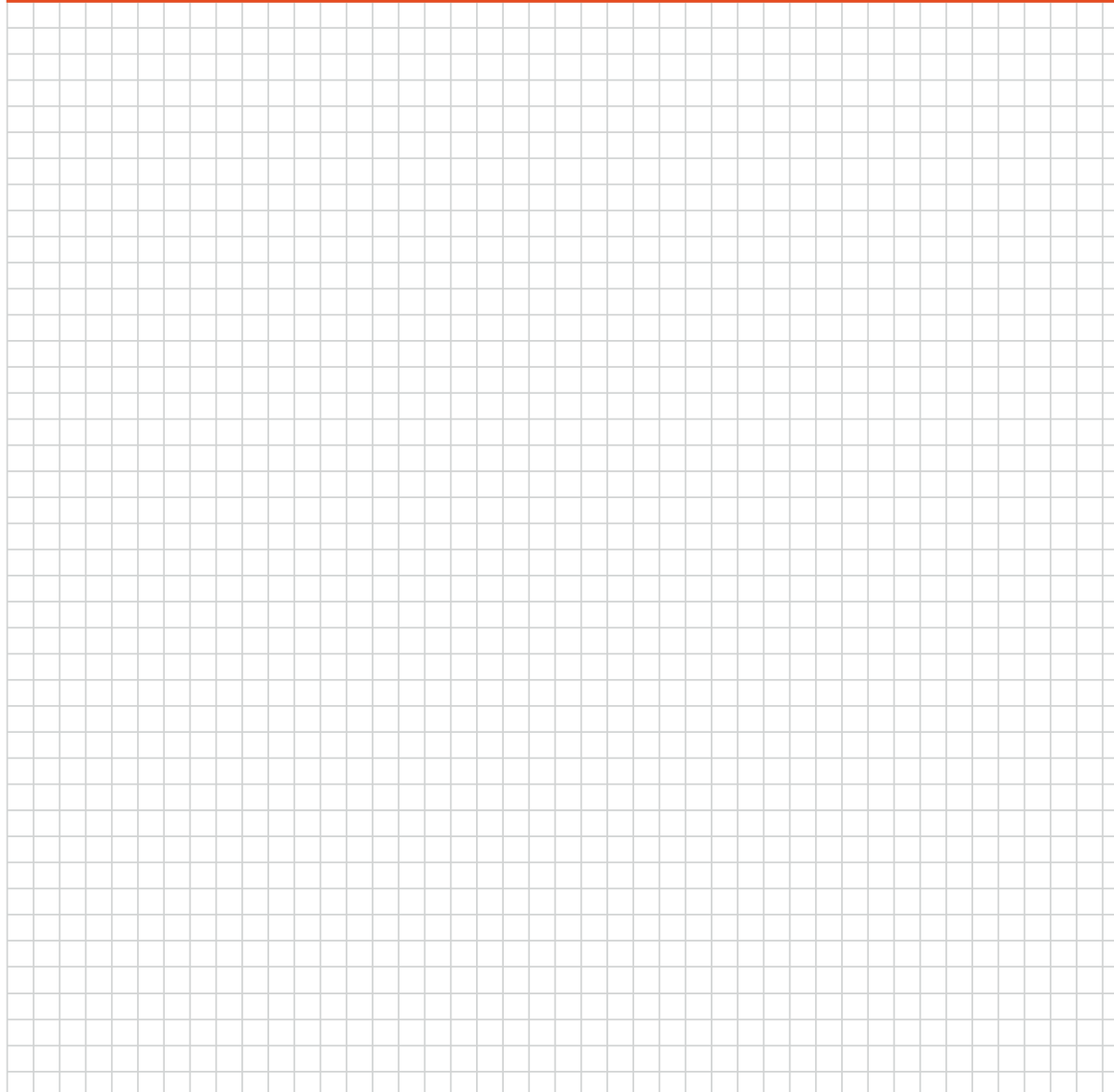
Customisations		
Cables	Mechanical design	Flange
Materials	Treatments	Cable exits

All dimensions in millimeters, unless otherwise specified



SVTS C 01

Custom cable length increase possible as multiples of 500mm



All dimensions in millimeters, unless otherwise specified

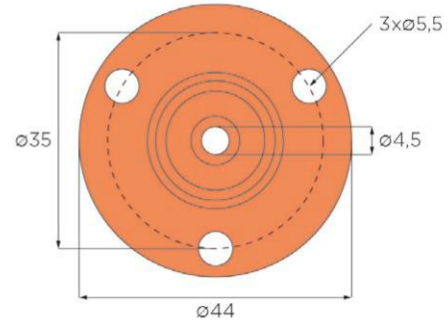
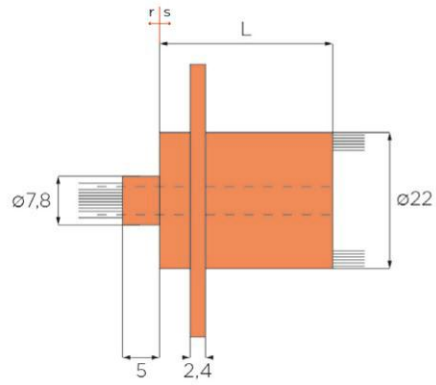
SVTS C 02

Model	Number of circuits			L
	Total	Power	Signals 2A	
SVTS C 02-S-A-00/02	2	-	2	19,4
SVTS C 02-S-A-00/06	6	-	6	19,4
SVTS C 02-S-A-00/08	8	-	8	28
SVTS C 02-S-A-00/12	12	-	12	36,2

Transmission of		
Electric	Fieldbus	Fluidic (combined solutions)
Signals	Ethernet	Air
	Profinet	Oil
	Canbus	Gas
	RS 232	Water

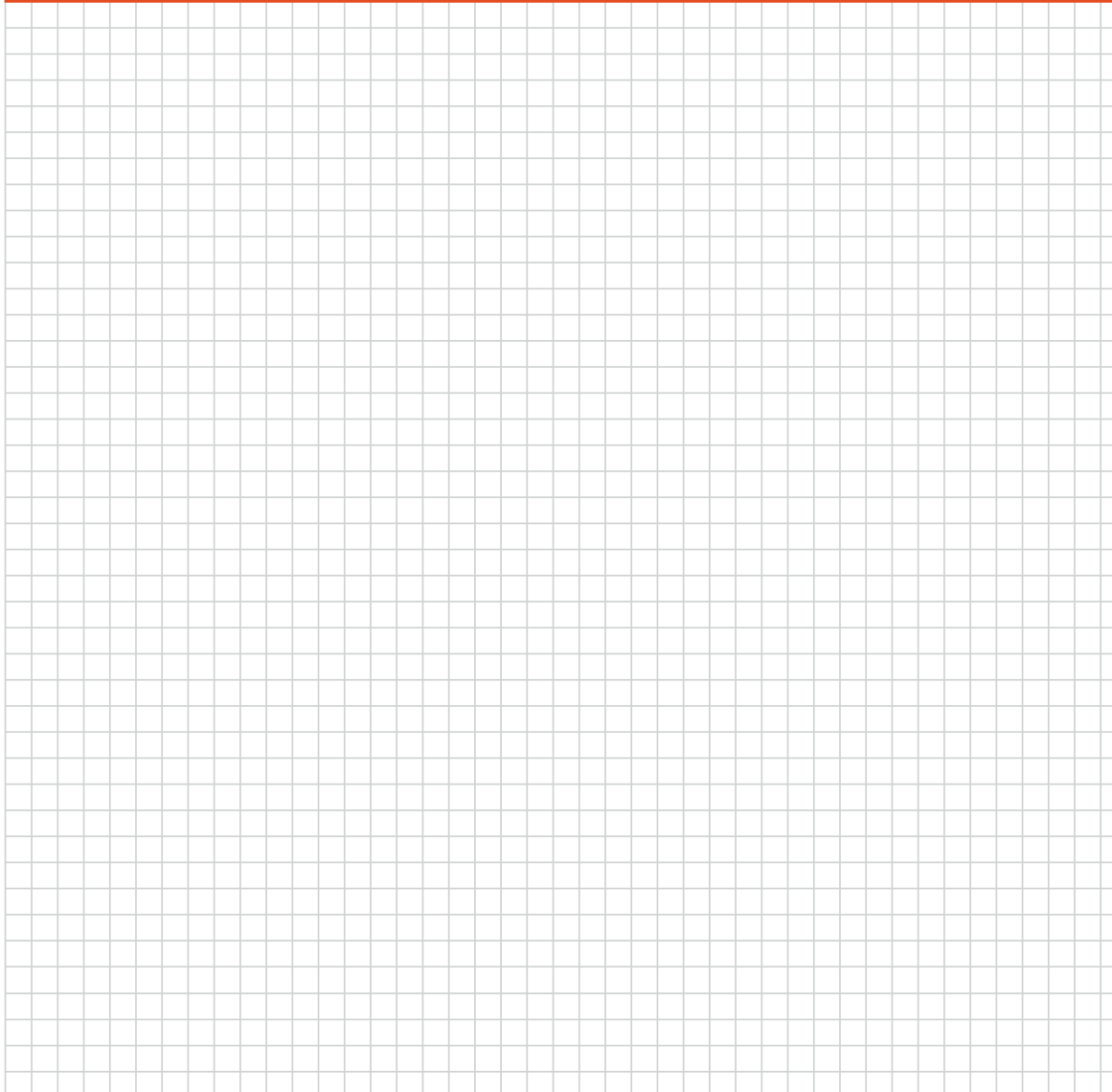
Customisations		
Cables	Mechanical design	Flange
Materials	Treatments	Cable exits

All dimensions in millimeters, unless otherwise specified



SVTS C 02

Custom cable length increase possible as multiples of 500mm



All dimensions in millimeters, unless otherwise specified

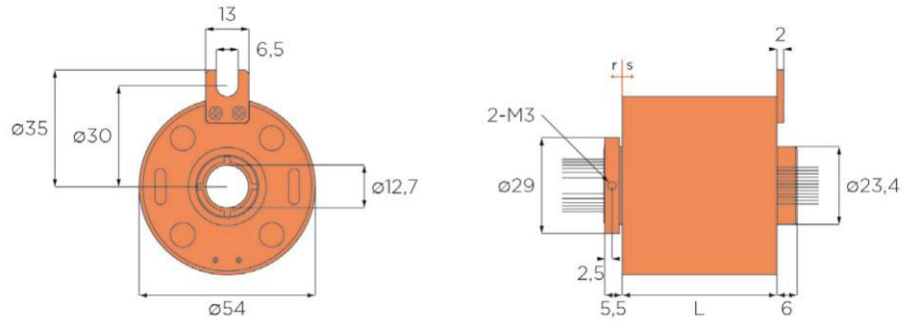
SVTS C 03

Model	Number of circuits			L	
	Total	Power	Signals 5A	IP51	IP65
SVTS C 03-X-A-00/06	6	-	6	34	44
SVTS C 03-X-A-00/12	12	-	12	48	58
SVTS C 03-X-A-00/18	18	-	18	62	72
SVTS C 03-X-A-00/24	24	-	24	76	86

Transmission of		
Electric	Fieldbus	Fluidic (combined solutions)
Signals	EtherCAT	Air
Power	Profinet	Oil
	Sercos	Gas
	Power link	Water
	Ethernet	
	Canbus	

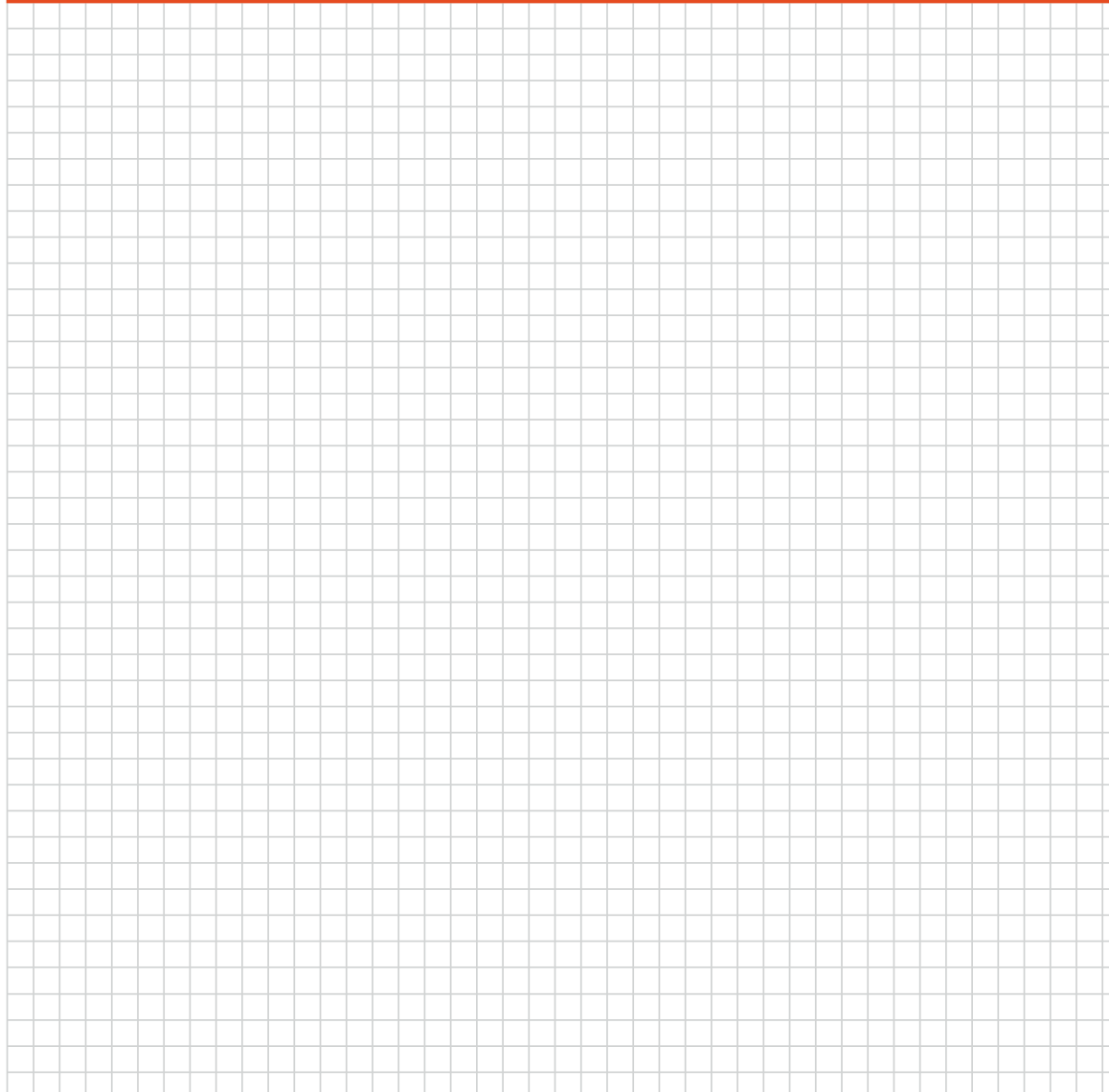
Customisations		
Cables	Mechanical design	Flange
Materials	Treatments	Cable exits

All dimensions in millimeters, unless otherwise specified



SVTS C 03

Custom cable length increase possible as multiples of 250mm



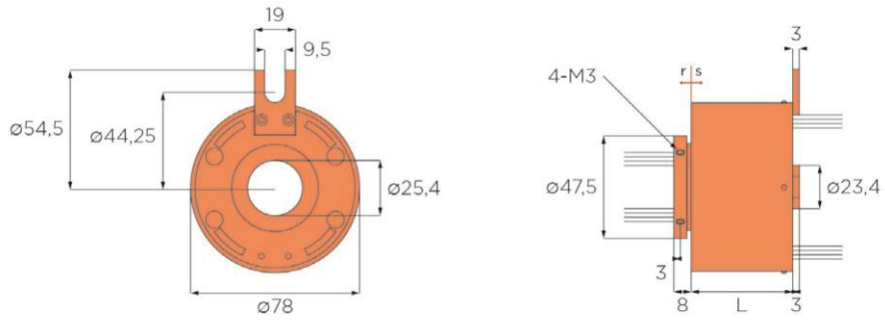
All dimensions in millimeters, unless otherwise specified

SVTS C 04

Model	Number of circuits			L	
	Total	Power 15A	Signals 2A	IP51	IP65
SVTS C 04-S-A-06/00	6	6	-	47	62
SVTS C 04-S-A-00/12	12	-	12	47	62
SVTS C 04-S-A-12/00	12	12	-	71	86
SVTS C 04-S-A-06/12	18	6	12	71	86
SVTS C 04-S-A-00/24	24	-	24	71	86
SVTS C 04-S-A-18/00	18	18	-	95	110
SVTS C 04-S-A-12/12	24	12	12	95	110
SVTS C 04-S-A-06/24	30	6	24	95	110
SVTS C 04-S-A-00/36	36	-	36	95	110
SVTS C 04-S-A-24/00	24	24	-	119	134
SVTS C 04-S-A-18/12	30	18	12t	119	134
SVTS C 04-S-A-12/24	36	12	24	119	134
SVTS C 04-S-A-06/36	42	6	36	119	134
SVTS C 04-S-A-00/48	48	-	48	119	134

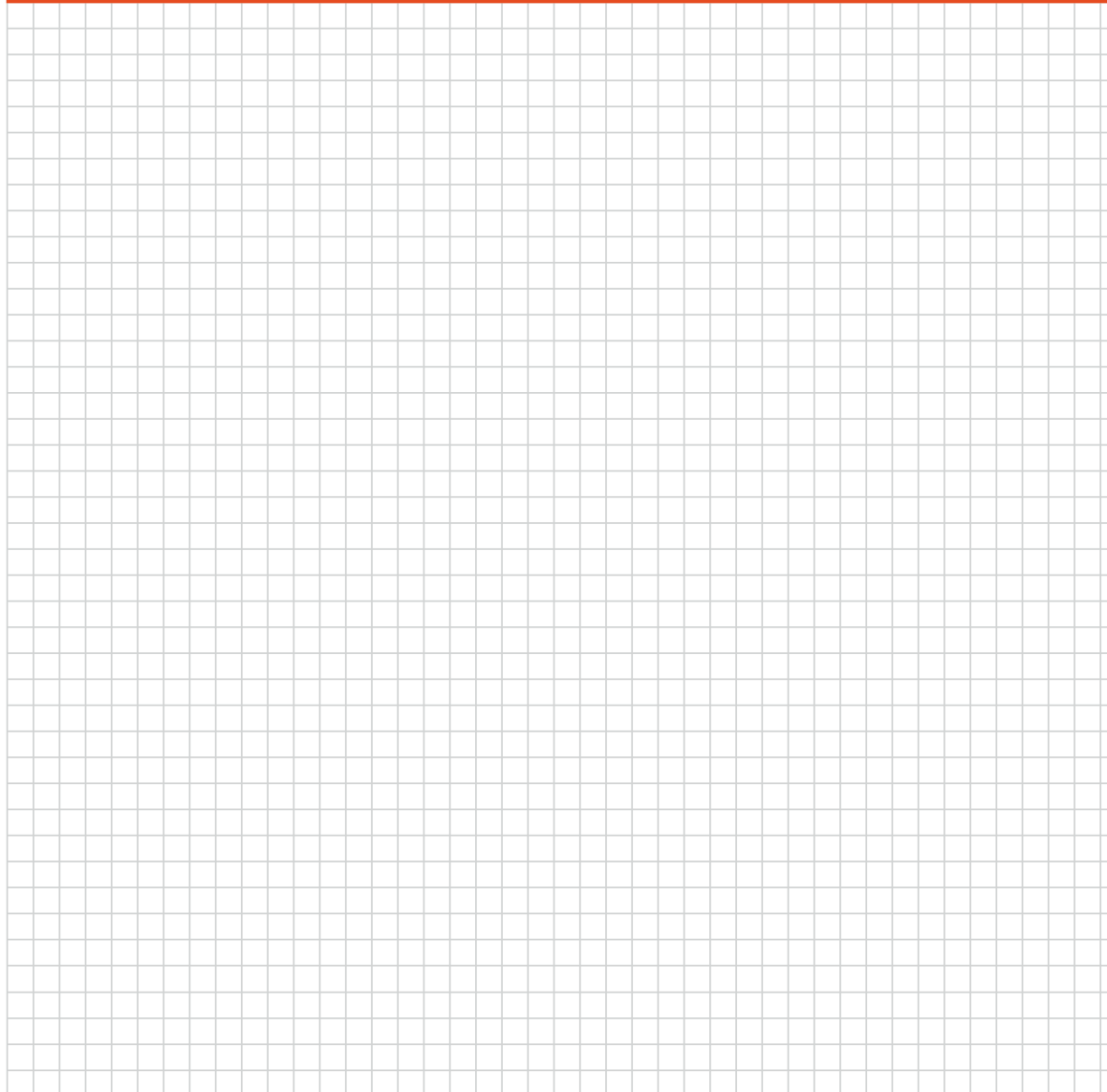
Transmission of		
Electric	Fieldbus	Fluidic (combined solutions)
Signals	Ethernet	Air
Power	Profinet	Oil
	Sercos	Gas
	Powerlink	Water
	Ethernet	Fibre optic
	Canbus	
Customisations		
Cables	Mechanical design	Flange
Materials	Treatments	Cable exits

All dimensions in millimeters, unless otherwise specified



SVTS C 04

Custom cable length increase possible as multiples of 500mm



All dimensions in millimeters, unless otherwise specified

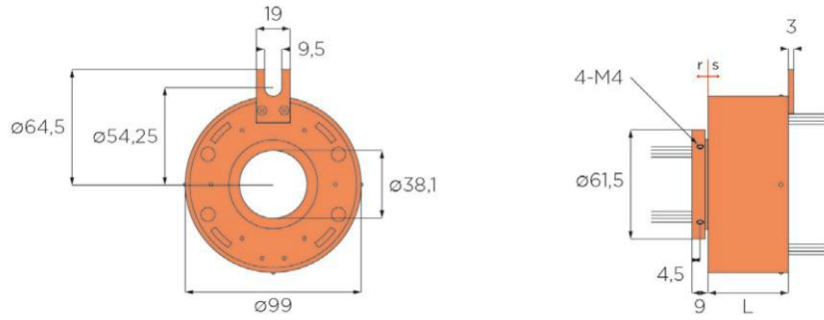
SVTS C 05

Model	Number of circuits			L	
	Total	Power 15A	Signals 2A	IP51	IP65
SVTS C 05-S-A-06/00	6	6	-	45	65
SVTS C 05-S-A-00/12	12	-	12	45	65
SVTS C 05-S-A-12/00	12	12	-	69	89
SVTS C 05-S-A-06/12	18	6	12	69	89
SVTS C 05-S-A-00/24	24	-	24	69	89
SVTS C 05-S-A-18/00	18	18	-	93	113
SVTS C 05-S-A-12/12	24	12	12	93	113
SVTS C 05-S-A-06/24	30	6	24	93	113
SVTS C 05-S-A-00/36	36	-	36	93	113
SVTS C 05-S-A-24/00	24	24	-	117	137
SVTS C 05-S-A-18/12	30	18	12	117	137
SVTS C 05-S-A-12/24	36	12	24	117	137
SVTS C 05-S-A-06/36	42	6	36	117	137
SVTS C 05-S-A-00/48	48	-	48	117	137

Transmission of		
Electric	Fieldbus	Fluidic (combined solutions)
Signals	EtherCAT	Air
Power	Profinet	Oil
	Sercos	Gas
	Powerlink	Water
	Ethernet	
	Canbus	

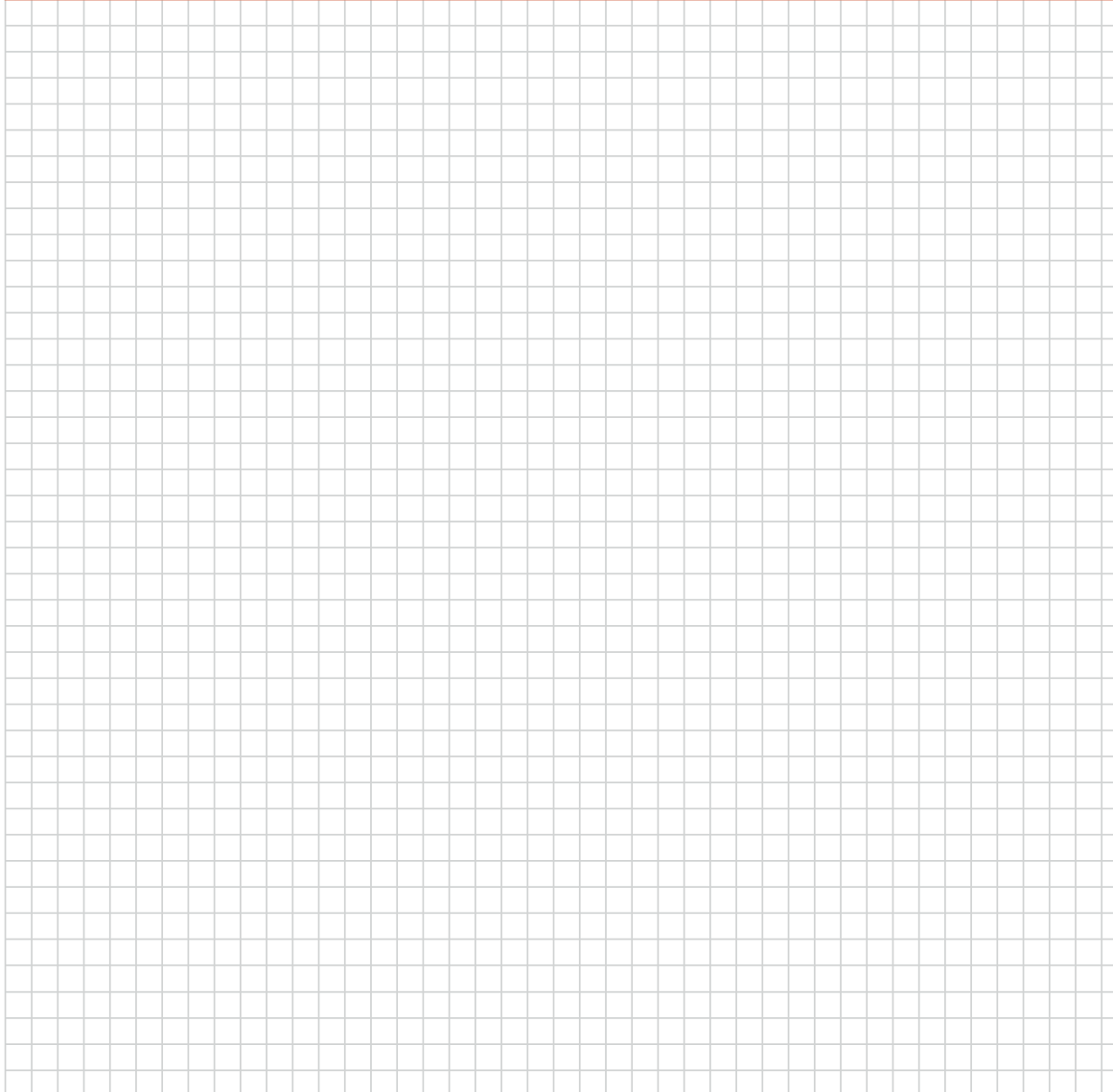
Customisations		
Cables	Mechanical design	Flange
Materials	Treatments	Cable exits

All dimensions in millimeters, unless otherwise specified



SVTS C 05

Custom cable length increase possible as multiples of 500mm



All dimensions in millimeters, unless otherwise specified

NEW

SVTS C 05

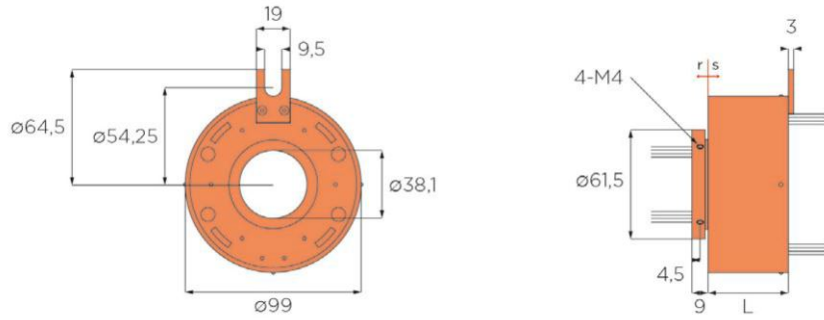
Ethernet

Model	Number of circuits			L	
	Total	Power 15A	Ethernet	IP51	IP65
SVTS C 05-S-A-00/00-...-E1M	5	-	100BaseT	45	65
SVTS C 05-S-A-06/00-...-E1M	11	6	100BaseT	69	89
SVTS C 05-S-A-12/00-...-E1M	17	12	100BaseT	93	113
SVTS C 05-S-A-18/00-...-E1M	23	18	100BaseT	117	137
SVTS C 05-S-A-00/00-...-E1G	9	-	1000BaseT	69	89
SVTS C 05-S-A-06/00-...-E1G	15	6	1000BaseT	93	113
SVTS C 05-S-A-12/00-...-E1G	21	12	1000BaseT	117	137

Transmission of		
Electric	Fieldbus	Fluidic (combined solutions)
Signals	EtherCAT	Air
Power	Profinet	
	Sercos	
	Powerlink	
	Ethernet	
	Canbus	

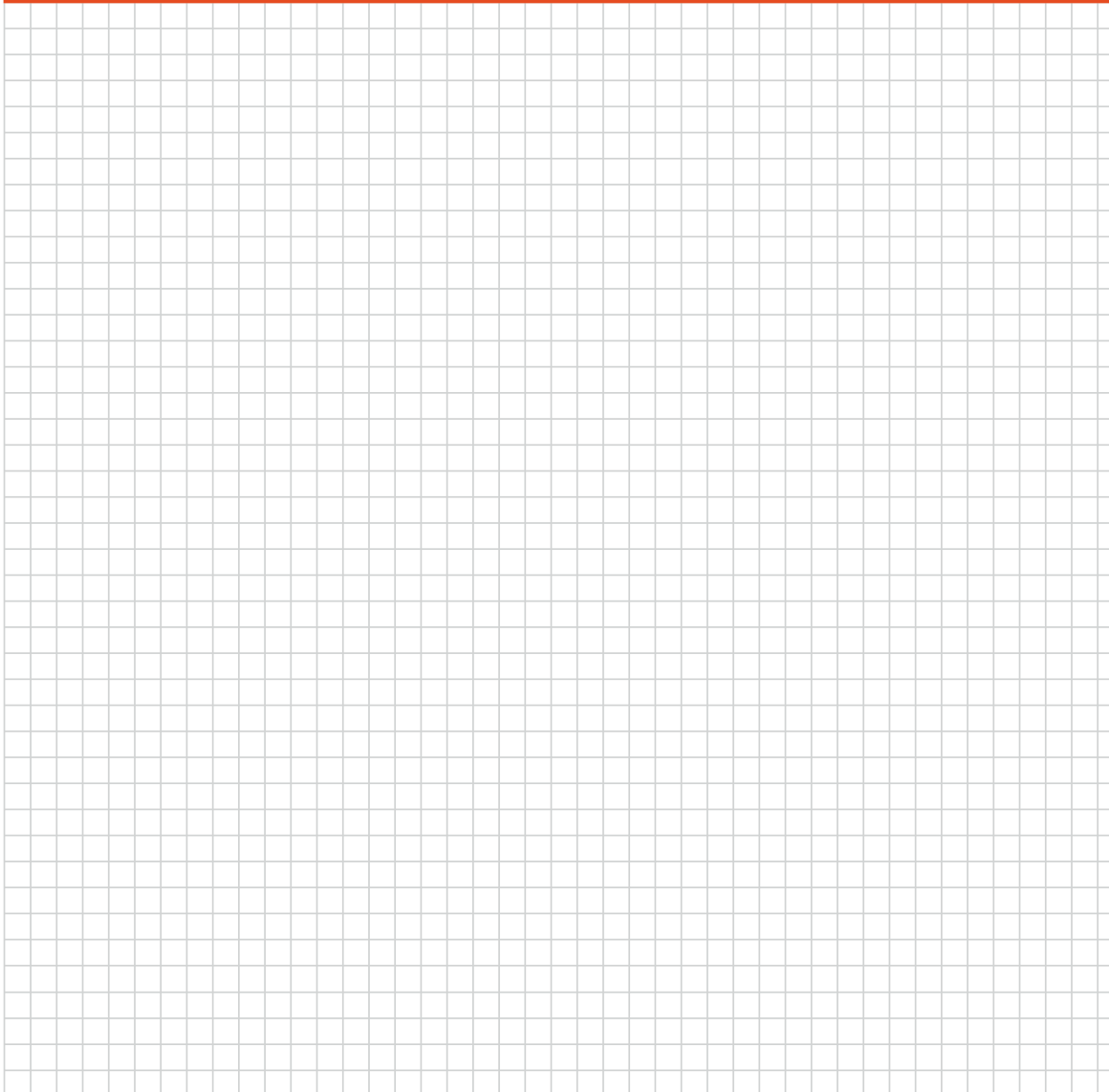
Customisations		
Cables	Mechanical design	Flange
Materials	Treatments	Cable exits

All dimensions in millimeters, unless otherwise specified



SVTS C 05 - Ethernet

Custom cable length increase possible as multiples of 500mm



All dimensions in millimeters, unless otherwise specified

NEW

SVTS C 05

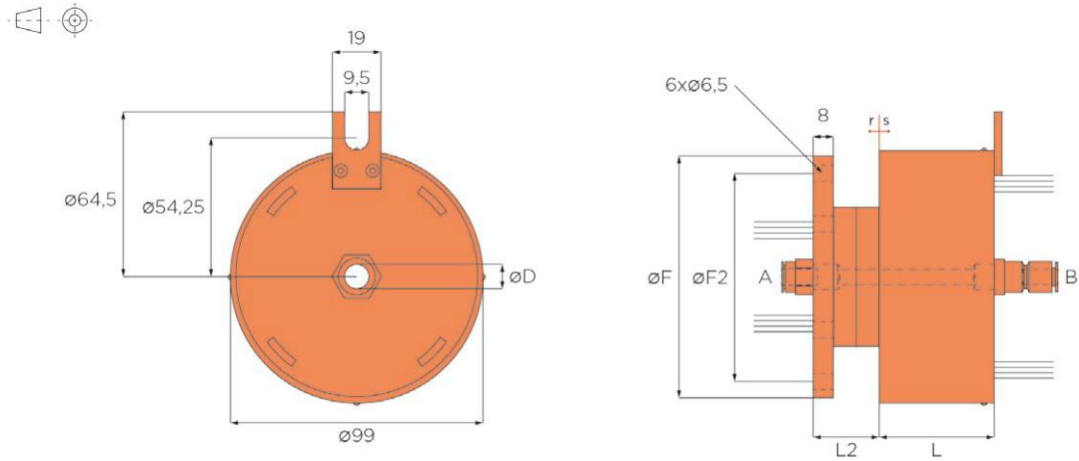
Single pneumatic passage

Model	N. of circuits	Dimensions										Pneumatic connector		
		Power		L				D	F		F2		SMC PN	
		15A		IP51	IP65	IP51	IP65		IP 51	IP65	IP51	IP65	A	B
SVTS C 05-S-A-06/00-...-OP1	6	45	65	26	14	6	95	116	81	113	KQ2H06-01S	KSH06-01S		
SVTS C 05-S-A-12/00-...-OP1	12	69	89	26	14	6	95	116	81	113	KQ2H06-01S	KSH06-01S		
SVTS C 05-S-A-24/00-...-OP1	24	117,5	137,5	26	14	6	95	116	81	113	KQ2H06-01S	KSH06-01S		
SVTS C 05-S-A-06/00-...-OP2	6	45	65	26	14	10	95	116	81	113	KQ2H10-02S	KSH10-02S		
SVTS C 05-S-A-12/00-...-OP2	12	69	89	26	14	10	95	116	81	113	KQ2H10-02S	KSH10-02S		
SVTS C 05-S-A-24/00-...-OP2	24	117,5	137,5	26	14	10	95	116	81	113	KQ2H10-02S	KSH10-02S		

Transmission of	
Electric	Fieldbus
Signals	EtherCAT
Power	Profinet
	Sercos
	Powerlink
	Ethernet
	Canbus

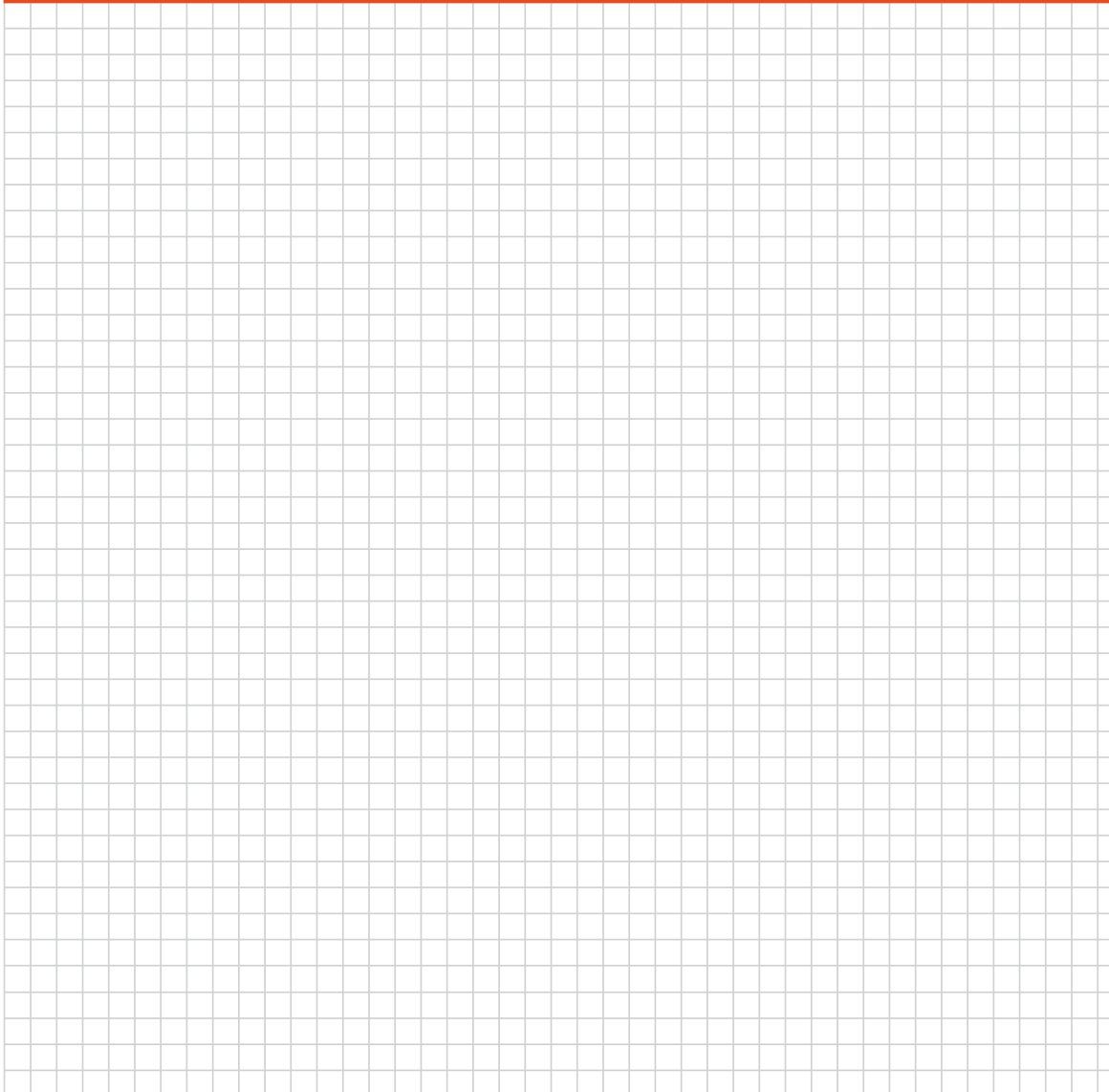
Customisations		
Cables	Mechanical design	Flange
Materials	Treatments	Cable exits

All dimensions in millimeters, unless otherwise specified



SVTS C 05 - Single pneumatic passage

Custom cable length increase possible as multiples of 500mm



All dimensions in millimeters, unless otherwise specified

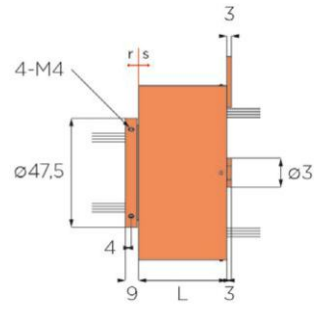
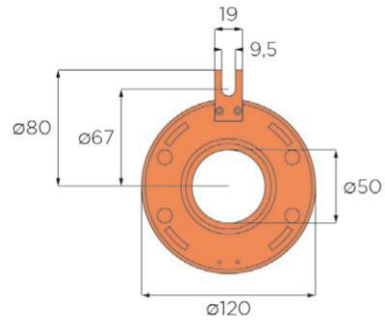
SVTS C 06

Model	Number of circuits			L	
	Total	Power 20A	Signals 5A	IP51	IP65
SVTS C 06-S-A-06/00	6	6	-	61	82
SVTS C 06-S-A-00/12	12	-	12	61	82
SVTS C 06-S-A-12/00	12	12	-	91	112
SVTS C 06-S-A-06/12	18	6	12	91	112
SVTS C 06-S-A-00/24	24	-	24	91	112
SVTS C 06-S-A-18/00	18	18	-	121	142
SVTS C 06-S-A-12/12	24	12	12	121	142
SVTS C 06-S-A-06/24	30	6	24	121	142
SVTS C 06-S-A-00/36	36	-	36	121	142
SVTS C 06-S-A-24/00	24	24	-	151	172
SVTS C 06-S-A-18/12	30	18	12	151	172
SVTS C 06-S-A-12/24	36	12	24	152	172
SVTS C 06-S-A-06/36	42	6	36	151	172
SVTS C 06-S-A-00/48	48	-	48	151	172
SVTS C 06-S-A-30/00	30	30	-	181	202
SVTS C 06-S-A-24/12	36	24	12	181	202
SVTS C 06-S-A-18/24	42	18	24	181	202
SVTS C 06-S-A-12/36	48	12	36	181	202
SVTS C 06-S-A-06/48	54	6	48	181	202
SVTS C 06-S-A-00/60	60	-	60	181	202
SVTS C 06-S-A-36/00	36	36	-	211	232
SVTS C 06-S-A-30/12	42	30	12	211	232
SVTS C 06-S-A-24/24	48	24	24	211	232
SVTS C 06-S-A-18/36	54	18	36	211	232
SVTS C 06-S-A-12/48	60	12	48	211	232
SVTS C 06-S-A-06/60	66	6	60	211	232
SVTS C 06-S-A-18/36	54	18	36	211	232
SVTS C 06-S-A-12/48	60	12	48	211	232
SVTS C 06-S-A-06/60	66	6	60	211	232
SVTS C 06-S-A-00/72	72	-	72	211	232

Transmission of		
Electric	Fieldbus	Fluidic (combined solutions)
Signals	EtherCAT	Air
Power	Profinet	Oil
	Sercos	Gas
	Powerlink	Water
	Ethernet	
	Canbus	

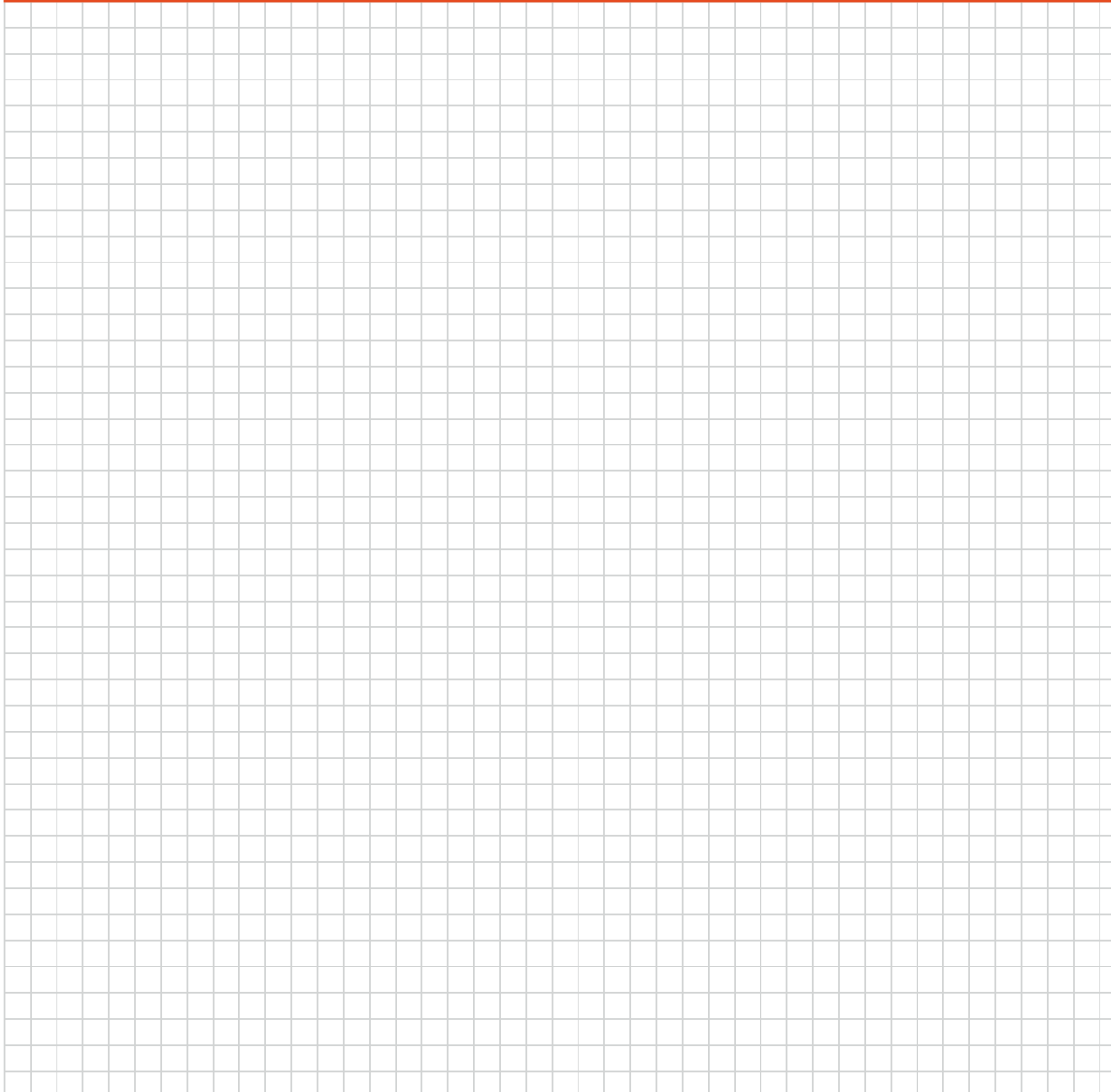
Customisations		
Cables	Mechanical design	Flange
Materials	Treatments	Cable exits

All dimensions in millimeters, unless otherwise specified



SVTS C 06

Custom cable length increase possible as multiples of 500mm



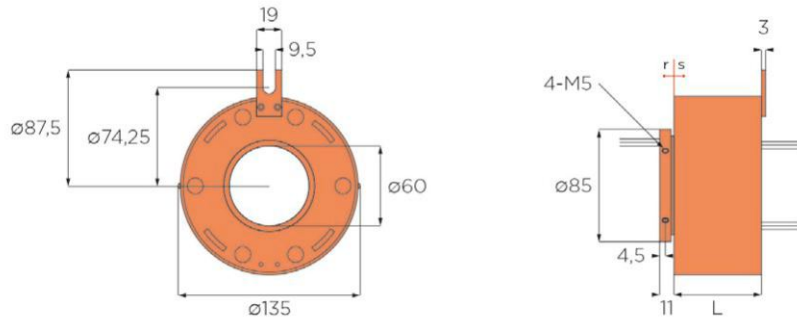
All dimensions in millimeters, unless otherwise specified

SVTS C 07

Model	Number of circuits			L	
	Total	Power 20A	Signals 5A	IP51	IP65
SVTS C 07-S-A-06/00	6	6	-	67	81
SVTS C 07-S-A-00/12	12	-	12	67	81
SVTS C 07-S-A-12/00	12	12	-	97	111
SVTS C 07-S-A-06/12	18	6	12	97	111
SVTS C 07-S-A-00/24	24	-	24	97	111
SVTS C 07-S-A-18/00	18	18	-	127	141
SVTS C 07-S-A-12/12	24	12	12	127	141
SVTS C 07-S-A-06/24	30	6	24	127	141
SVTS C 07-S-A-00/36	36	-	36	127	141
SVTS C 07-S-A-24/00	24	24	-	157	171
SVTS C 07-S-A-18/12	30	18	12	157	171
SVTS C 07-S-A-12/24	36	12	24	157	171
SVTS C 07-S-A-06/36	42	6	36	157	171
SVTS C 07-S-A-00/48	48	-	48	157	171
SVTS C 07-S-A-30/00	30	30	-	187	201
SVTS C 07-S-A-24/12	36	24	12	187	201
SVTS C 07-S-A-18/24	42	18	24	187	201
SVTS C 07-S-A-12/36	48	12	36	187	201
SVTS C 07-S-A-06/48	54	6	48	187	201
SVTS C 07-S-A-00/60	60	-	60	187	201
SVTS C 07-S-A-36/00	36	36	-	217	231
SVTS C 07-S-A-30/12	42	30	12	217	231
SVTS C 07-S-A-24/24	48	24	24	217	231
SVTS C 07-S-A-18/36	54	18	36	217	231
SVTS C 07-S-A-12/48	60	12	48	217	231
SVTS C 07-S-A-06/60	66	6	60	217	231
SVTS C 07-S-A-00/72	72	-	72	217	231
SVTS C 07-S-A-42/00	42	42	-	247	261
SVTS C 07-S-A-36/12	48	36	12	247	261
SVTS C 07-S-A-30/24	54	30	24	247	261
SVTS C 07-S-A-24/36	60	24	36	247	261
SVTS C 07-S-A-18/48	66	18	48	247	261
SVTS C 07-S-A-12/60	72	12	60	247	261
SVTS C 07-S-A-06/72	78	6	72	247	261
SVTS C 07-S-A-00/84	84	-	84	247	261
SVTS C 07-S-A-48/00	48	48	-	277	291
SVTS C 07-S-A-42/12	54	42	12	277	291
SVTS C 07-S-A-36/24	60	36	24	277	291
SVTS C 07-S-A-30/36	66	30	36	277	291
SVTS C 07-S-A-24/48	72	24	48	277	291
SVTS C 07-S-A-18/60	78	18	60	277	291
SVTS C 07-S-A-12/72	84	12	72	277	291
SVTS C 07-S-A-06/84	90	6	84	277	291
SVTS C 07-S-A-00/96	96	-	96	277	291

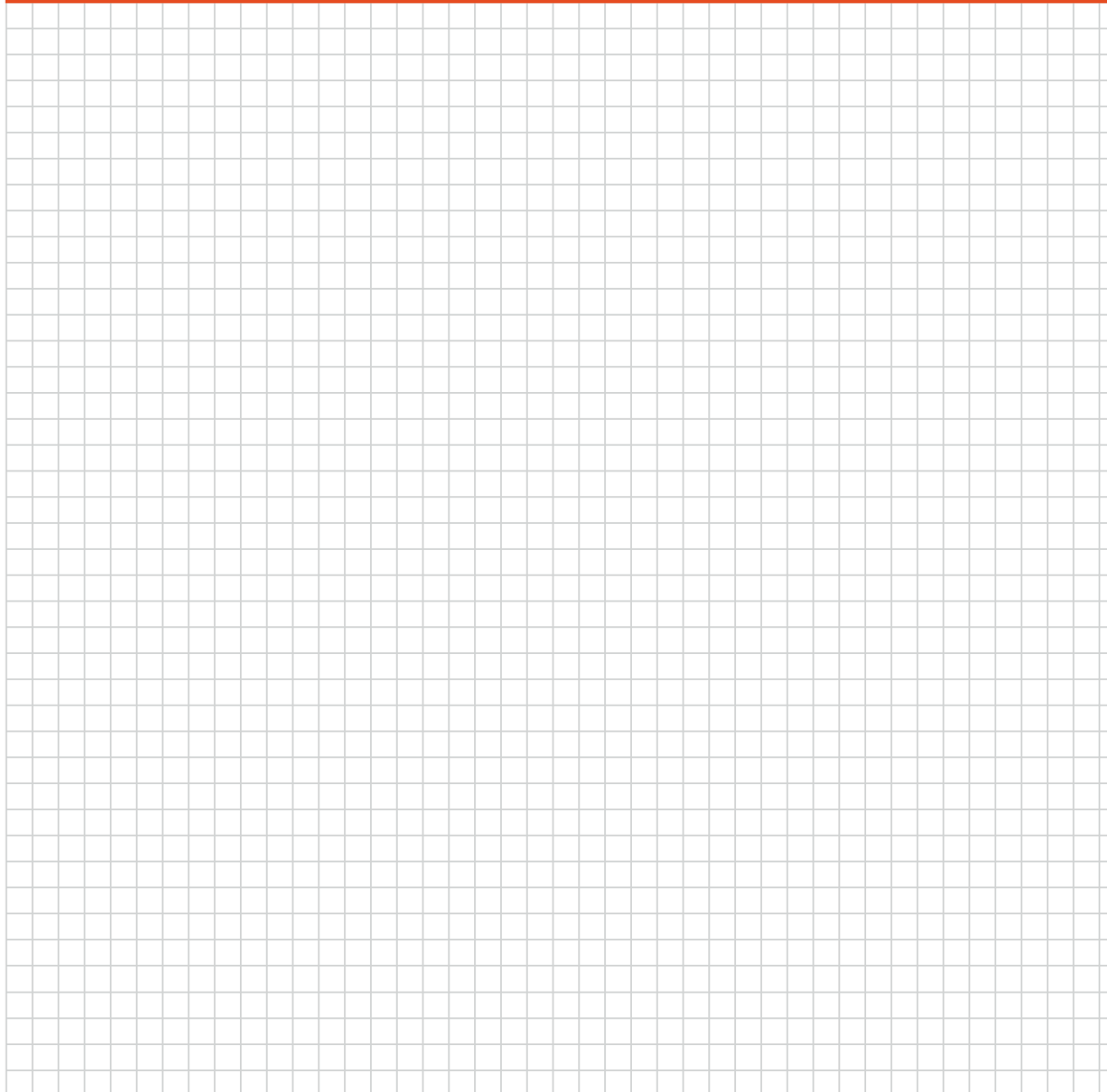
Transmission of		
Electric	Fieldbus	Fluidic (combined solutions)
Signals	EtherCAT	Air
Power	Profinet	Oil
	Sercos	Gas
	Powerlink	Water
	Ethernet	
	Canbus	
Customisations		
Cables	Mechanical design	Flange
Materials	Treatments	Cable exits

All dimensions in millimeters, unless otherwise specified



SVTS C 07

Custom cable length increase possible as multiples of 500mm



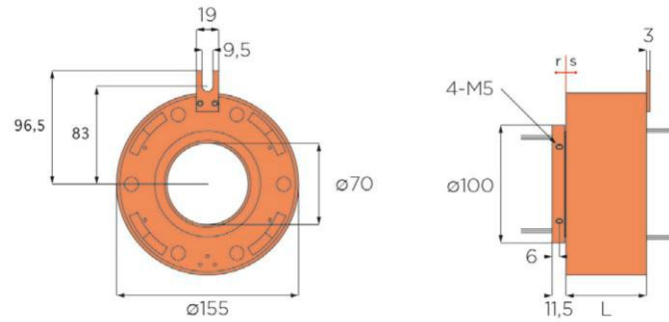
All dimensions in millimeters, unless otherwise specified

SVTS C 08

Model	Number of circuits			L	
	Total	Power	Signals	IP51	IP65
		20A	5A		
SVTS C 08-S-A-06/00	6	6	-	69	93
SVTS C 08-S-A-00/12	12	-	12	69	93
SVTS C 08-S-A-12/00	12	12	-	99	123
SVTS C 08-S-A-06/12	18	6	12	99	123
SVTS C 08-S-A-00/24	24	-	24	99	123
SVTS C 08-S-A-18/00	18	18	-	129	153
SVTS C 08-S-A-12/12	24	12	12	129	153
SVTS C 08-S-A-06/24	30	6	24	129	153
SVTS C 08-S-A-00/36	36	-	36	129	153
SVTS C 08-S-A-24/00	24	24	-	159	183
SVTS C 08-S-A-18/12	30	18	12	159	183
SVTS C 08-S-A-12/24	36	12	24	159	183
SVTS C 08-S-A-06/36	42	6	36	159	183
SVTS C 08-S-A-00/48	48	-	48	159	183
SVTS C 08-S-A-30/00	30	30	-	189	213
SVTS C 08-S-A-24/12	36	24	12	189	213
SVTS C 08-S-A-18/24	42	18	24	189	213
SVTS C 08-S-A-12/36	48	12	36	189	213
SVTS C 08-S-A-06/48	54	6	48	189	213
SVTS C 08-S-A-00/60	60	-	60	189	213
SVTS C 08-S-A-36/00	36	36	-	219	243
SVTS C 08-S-A-30/12	42	30	12	219	243
SVTS C 08-S-A-24/24	48	24	24	219	243
SVTS C 08-S-A-18/36	54	18	36	219	243
SVTS C 08-S-A-12/48	60	12	48	219	243
SVTS C 08-S-A-06/60	66	6	60	219	243
SVTS C 08-S-A-00/72	72	-	72	219	243
SVTS C 08-S-A-42/00	42	42	-	249	273
SVTS C 08-S-A-36/12	48	36	12	249	273
SVTS C 08-S-A-30/24	54	30	24	249	273
SVTS C 08-S-A-24/36	60	24	36	249	273
SVTS C 08-S-A-18/48	66	18	48	249	273
SVTS C 08-S-A-12/60	72	12	60	249	273
SVTS C 08-S-A-06/72	78	6	72	249	273
SVTS C 08-S-A-00/84	84	-	84	249	273
SVTS C 08-S-A-48/00	48	48	-	279	303
SVTS C 08-S-A-42/12	54	42	12	279	303
SVTS C 08-S-A-36/24	60	36	24	279	303
SVTS C 08-S-A-30/36	66	30	36	279	303
SVTS C 08-S-A-24/48S	72	24	48	279	303
SVTS C 08-S-A-18/60	48	18	60	279	303
SVTS C 08-S-A-12/72	84	12	72	279	303
SVTS C 08-S-A-06/84	90	6	84	279	303
SVTS C 08-S-A-00/96	96	-	96	279	303

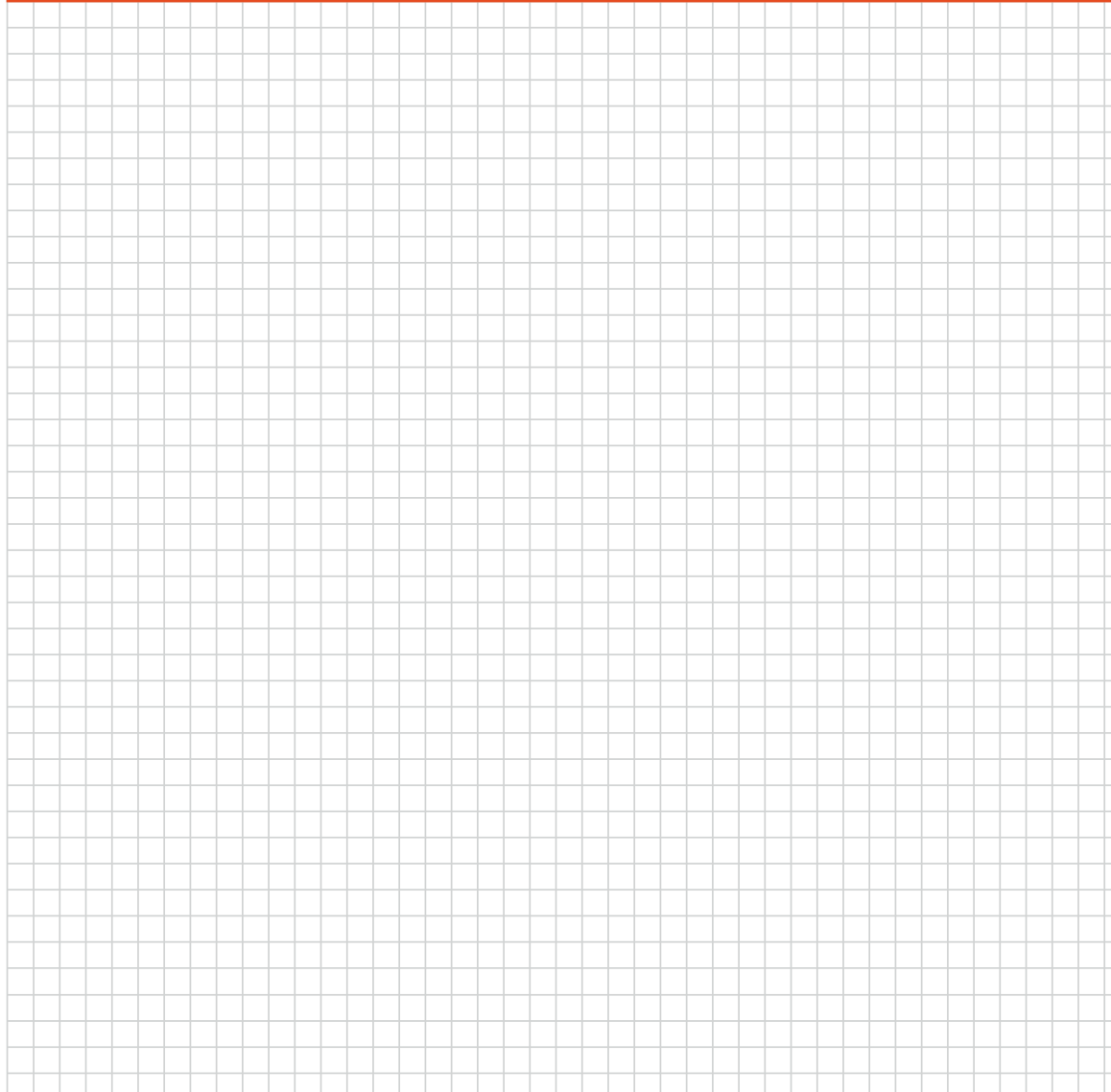
Transmission of		
Electric	Fieldbus	Fluidic (combined solutions)
Signals	EtherCAT	Air
Power	Profinet	Oil
	Sercos	Gas
	Powerlink	Water
	Ethernet	Fibre optic
	Canbus	
Customisations		
Cables	Mechanical design	Flange
Materials	Treatments	Cable exits

All dimensions in millimeters, unless otherwise specified



SVTS C 08

Custom cable length increase possible as multiples of 250mm



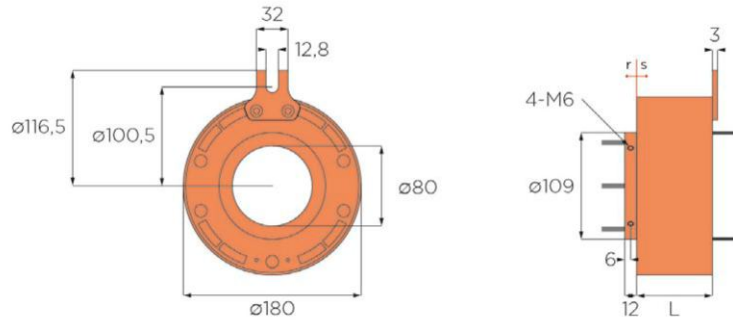
All dimensions in millimeters, unless otherwise specified

SVTS C 09

Model	Number of circuits			L	
	Total	Power 20A	Signals 5A	IP51	IP65
SVTS C 09-S-A-06/00	6	6	-	77	108,5
SVTS C 09-S-A-00/12	12	-	12	77	108,5
SVTS C 09-S-A-12/00	12	12	-	107	138,5
SVTS C 09-S-A-06/12	18	6	12	107	138,5
SVTS C 09-S-A-00/24	24	-	24	107	138,5
SVTS C 09-S-A-18/00	18	18	-	137	168,5
SVTS C 09-S-A-12/12	24	12	12	137	168,5
SVTS C 09-S-A-06/24	30	6	24	137	168,5
SVTS C 09-S-A-00/36	36	-	36	137	168,5
SVTS C 09-S-A-24/00	24	24	-	167	198,5
SVTS C 09-S-A-18/12	30	18	12	167	198,5
SVTS C 09-S-A-12/24	36	12	24	167	198,5
SVTS C 09-S-A-06/36	42	6	36	167	198,5
SVTS C 09-S-A-00/48	48	-	48	167	198,5
SVTS C 09-S-A-30/00	30	30	-	197	228,5
SVTS C 09-S-A-24/12	36	24	12	197	228,5
SVTS C 09-S-A-18/24	42	18	24	197	228,5
SVTS C 09-S-A-12/36	48	12	36	197	228,5
SVTS C 09-S-A-06/48	54	6	48	197	228,5
SVTS C 09-S-A-00/60	60	-	60	197	228,5
SVTS C 09-S-A-36/00	36	36	-	227	258,5
SVTS C 09-S-A-30/12	42	30	12	227	258,5
SVTS C 09-S-A-24/24	48	24	24	227	258,5
SVTS C 09-S-A-18/36	54	18	36	227	258,5
SVTS C 09-S-A-12/48	60	12	48	227	258,5
SVTS C 09-S-A-06/60	66	6	60	227	258,5
SVTS C 09-S-A-00/72	72	-	72	227	258,5
SVTS C 09-S-A-42/00	42	42	-	257	288,5
SVTS C 09-S-A-36/12	48	36	12	257	288,5
SVTS C 09-S-A-30/24	54	30	24	257	288,5
SVTS C 09-S-A-24/36	60	24	36	257	288,5
SVTS C 09-S-A-18/48	66	18	48	257	288,5
SVTS C 09-S-A-12/60	72	12	60	257	288,5
SVTS C 09-S-A-06/72	78	6	72	257	288,5
SVTS C 09-S-A-00/84	84	-	84	257	288,5
SVTS C 09-S-A-48/00	48	48	-	287	318,5
SVTS C 09-S-A-42/12	54	42	12	287	318,5
SVTS C 09-S-A-36/24	60	36	24	287	318,5
SVTS C 09-S-A-30/36	66	30	36	287	318,5
SVTS C 09-S-A-24/48	72	24	48	287	318,5
SVTS C 09-S-A-18/60	78	18	60	287	318,5
SVTS C 09-S-A-12/72	84	12	72	287	318,5
SVTS C 09-S-A-06/84	90	6	84	287	318,5
SVTS C 09-S-A-00/96	96	-	96	287	318,5

Transmission of		
Electric	Fieldbus	Fluidic (combined solutions)
Signals	EtherCAT	Air
Power	Profinet	Oil
	Sercos	Gas
	Powerlink	Water
	Ethernet	
	Canbus	
Customisations		
Cables	Mechanical design	Flange
Materials	Treatments	Cable exits

All dimensions in millimeters, unless otherwise specified



SVTS C 09

Custom cable length increase possible as multiples of 500mm



All dimensions in millimeters, unless otherwise specified

SVTS C 10

Model	Number of circuits			L	
	Total	Power	Signals	IP51	IP65
		20A	5A		
SVTS C 10-S-A-06/00	6	6	-	77	105
SVTS C 10-S-A-00/12	12	-	12	77	105
SVTS C 10-S-A-12/00	12	12	-	107	135
SVTS C 10-S-A-06/12	18	6	12	107	135
SVTS C 10-S-A-00/24	24	-	24	107	135
SVTS C 10-S-A-18/00	18	18	-	137	165
SVTS C 10-S-A-12/12	24	12	12	137	165
SVTS C 10-S-A-06/24	30	6	24	137	165
SVTS C 10-S-A-00/36	36	-	36	137	165
SVTS C 10-S-A-24/00	24	24	-	167	195
SVTS C 10-S-A-18/12	30	18	12	167	195
SVTS C 10-S-A-12/24	36	12	24	167	195
SVTS C 10-S-A-06/36	42	6	36	167	195
SVTS C 10-S-A-00/48	48	-	48	167	195
SVTS C 10-S-A-30/00	30	30	-	197	225
SVTS C 10-S-A-24/12	36	24	12	197	225
SVTS C 10-S-A-18/24	42	18	24	197	225
SVTS C 10-S-A-12/36	48	12	36	197	225
SVTS C 10-S-A-06/48	54	6	48	197	225
SVTS C 10-S-A-00/60	60	-	60	197	225
SVTS C 10-S-A-36/00	36	36	-	227	255
SVTS C 10-S-A-30/12	42	30	12	227	255
SVTS C 10-S-A-24/24	48	24	24	227	255
SVTS C 10-S-A-18/36	54	18	36	227	255
SVTS C 10-S-A-12/48	60	12	48	227	255
SVTS C 10-S-A-06/60	66	6	60	227	255
SVTS C 10-S-A-00/72	72	-	72	227	255
SVTS C 10-S-A-42/00	42	42	-	257	285
SVTS C 10-S-A-36/12	48	36	12	257	285
SVTS C 10-S-A-30/24	54	30	24	257	285
SVTS C 10-S-A-24/36	60	24	36	257	285
SVTS C 10-S-A-18/48	66	18	48	257	285
SVTS C 10-S-A-12/60	72	12	60	257	285
SVTS C 10-S-A-06/72	78	6	72	257	285
SVTS C 10-S-A-00/84	84	-	84	257	285
SVTS C 10-S-A-48/00	48	48	-	287	315
SVTS C 10-S-A-42/12	54	42	12	287	315
SVTS C 10-S-A-36/24	60	36	24	287	315
SVTS C 10-S-A-30/36	66	30	36	287	315
SVTS C 10-S-A-24/48	72	24	48	287	315
SVTS C 10-S-A-18/60	78	18	60	287	315
SVTS C 10-S-A-12/72	84	12	72	287	315
SVTS C 10-S-A-06/84	90	6	84	287	315
SVTS C 10-S-A-00/96	96	-	96	287	315

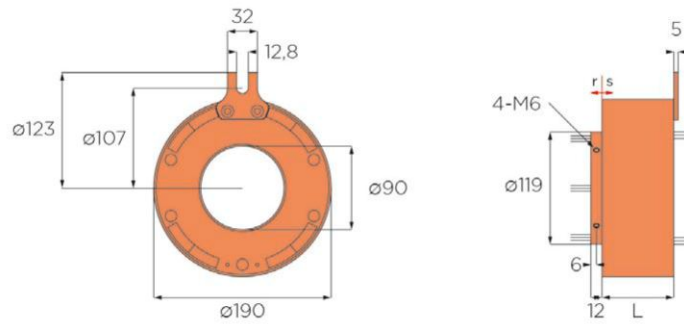
Transmission of

Electric	Fieldbus	Fluidic (combined solutions)
Signals	EtherCAT	Air
Power	Profinet	Oil
	Sercos	Gas
	Powerlink	Water
	Ethernet	
	Canbus	

Customisations

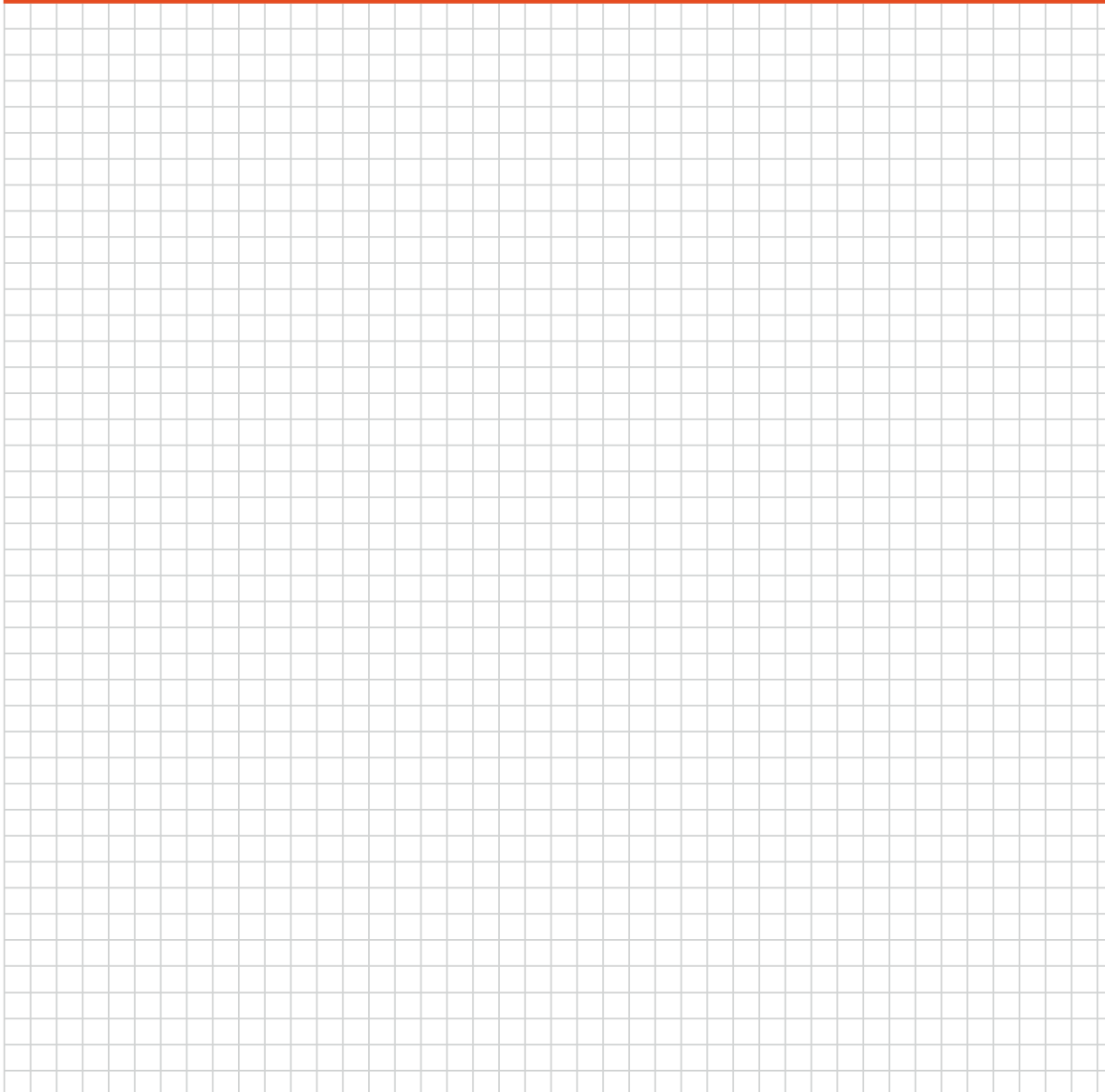
Cables	Mechanical design	Flange
Materials	Treatments	Cable exits

All dimensions in millimeters, unless otherwise specified



SVTS C 10

Custom cable length increase possible as multiples of 500mm



All dimensions in millimeters, unless otherwise specified

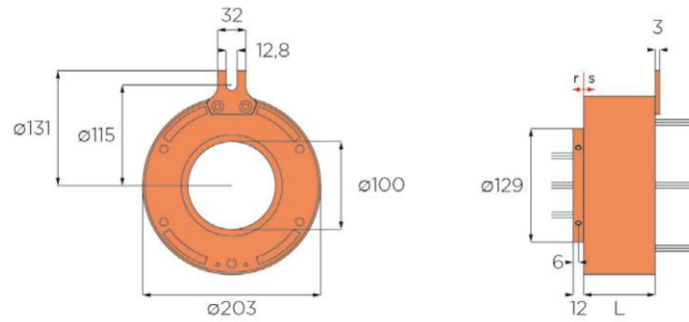
SVTS C 11

Model	Number of circuits			L	
	Total	Power 20A	Signals 5A	IP51	IP65
SVTS C 11-S-A-06/00	6	6	-	82	106,5
SVTS C 11-S-A-00/10	10	-	10	82	106,5
SVTS C 11-S-A-12/00	12	12	-	113	138
SVTS C 11-S-A-06/10	16	6	10	113	138
SVTS C 11-S-A-00/20	20	-	20	113	138
SVTS C 11-S-A-18/00	18	18	-	145	169,5
SVTS C 11-S-A-12/10	22	12	10	145	169,5
SVTS C 11-S-A-06/20	26	6	20	145	169,5
SVTS C 11-S-A-00/30	30	-	30	145	169,5
SVTS C 11-S-A-24/00	24	24	-	176	201
SVTS C 11-S-A-18/10	28	18	12	176	201
SVTS C 11-S-A-12/20	32	12	20	176	201
SVTS C 11-S-A-06/30	36	6	30	176	201
SVTS C 11-S-A-00/40	40	-	40	176	201
SVTS C 11-S-A-30/00	30	30	-	208	232,5
SVTS C 11-S-A-24/10	34	24	10	208	232,5
SVTS C 11-S-A-18/20	38	18	20	208	232,5
SVTS C 11-S-A-12/30	42	12	30	208	232,5
SVTS C 11-S-A-06/40	46	6	40	208	232,5
SVTS C 11-S-A-00/50	50	-	50	208	232,5
SVTS C 11-S-A-36/00	36	36	-	239	264
SVTS C 11-S-A-30/10	40	30	10	239	264
SVTS C 11-S-A-24/20	44	24	20	239	264
SVTS C 11-S-A-18/30	48	18	30	239	264
SVTS C 11-S-A-12/40	52	12	40	239	264
SVTS C 11-S-A-06/50	56	6	50	239	264
SVTS C 11-S-A-00/60	60	-	60	239	264
SVTS C 11-S-A-42/00	42	42	-	271	295,5
SVTS C 11-S-A-36/10	46	36	10	271	295,5
SVTS C 11-S-A-30/20	50	30	20	271	295,5
SVTS C 11-S-A-24/30	54	24	30	271	295,5
SVTS C 11-S-A-18/40	58	18	40	271	295,5
SVTS C 11-S-A-12/50	62	12	50	271	295,5
SVTS C 11-S-A-06/60	66	6	60	271	295,5
SVTS C 11-S-A-00/70	70	-	70	271	295,5
SVTS C 11-S-A-48/00	48	48	-	302	327
SVTS C 11-S-A-42/10	52	42	10	302	327
SVTS C 11-S-A-36/20	56	36	20	302	327
SVTS C 11-S-A-30/30	60	30	30	302	327
SVTS C 11-S-A-24/40	64	24	40	302	327
SVTS C 11-S-A-18/50	68	18	50	302	327
SVTS C 11-S-A-12/60	72	12	60	302	327
SVTS C 11-S-A-06/70	76	6	70	302	327
SVTS C 11-S-A-00/80	80	-	80	302	327

Transmission of		
Electric	Fieldbus	Fluidic (combined solutions)
Signals	EtherCAT	Air
Power	Profinet	Oil
	Sercos	Gas
	Powerlink	Water
	Ethernet	
	Canbus	

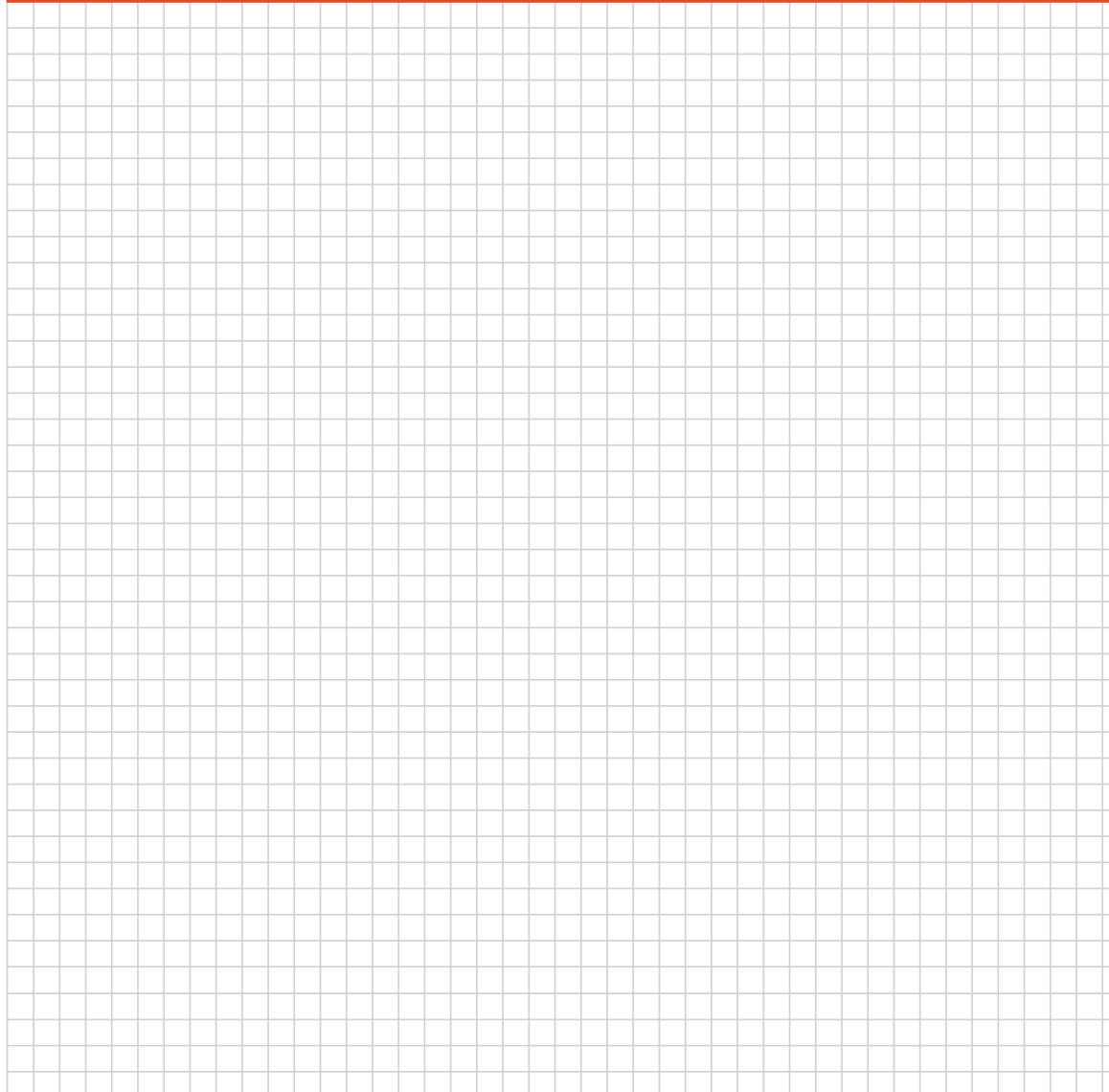
Customisations		
Cables	Mechanical design	Flange
Materials	Treatments	Cable exits

All dimensions in millimeters, unless otherwise specified



SVTS C 11

Custom cable length increase possible as multiples of 500mm



All dimensions in millimeters, unless otherwise specified