

SVTS B Series

Faston Slip Rings



LONG-LIFE



IP 65



POWER & SIGNALS

The most compact solution with fibre brush technology.

Thanks to the multiple contact points, the faston B Series Slip Rings ensures longer life due to the low contact wear rates, while guaranteeing low contact resistance.

Specially designed for intensive use at high speed and for transmitting power and sensitive signals, like the thermocouple ones, these rotary joints are particularly suitable for use on flowpack packaging machines ensuring a compact and reliable solution; the use of faston type connectors avoids the use of welds that may affect the reading of thermocouple signals.

Moreover, the IP65 version makes it washable, guaranteeing protection against low pressure jets if watered from all directions.

Benefits

Electrical power & signals in one unit

Compact

Long lifetime

Easy connection (Faston connectors)

Cost-effective

Water resistant (IP65)

Product code (detailed coding system on page 9)

S S S S S S S S S S Se

SVTS B BB - C - D - EE / FF - GGGG / HHHH - II - XXX

1 Series 3 Protection¹ 5 Power circuits 7 Cable length - brushes side 9 Temperature range²
2 Model 4 Flange types 6 Signal circuits 8 Cable length - rings side 10 Special options

¹ IP51 [S]; IP65 [U]
² Standard [ST]

Main applications

Flowpack machines	Converting
Hose & cable reels	Wind turbines
Medical / pharmaceutical	
Packaging	
Process control	
Rotating tables	

Features

Current	SRC032: 400 VAC / 400 VDC power circuits SRC 045: 400 VAC / 400 VDC
Dielectric voltage strength	500 VAC @ 60 Hz @ 60 sec
Insulation resistance	> 1000 MΩ / 500 VDC
Dynamic contact resistance	< 10 mΩ
Nominal speed	400 rpm (higher speeds, up to 600 rpm, upon request)
Bearings	High-precision stainless steel ball bearings
Housing	ABS (hard plastic)
Contact	Precious metal (alloy)
Temperature	-20°C to +80°C
Protection	IP51; IP65
Expected lifetime	10 ⁸ revolutions (depending on speed, environmental conditions and size)

Optional

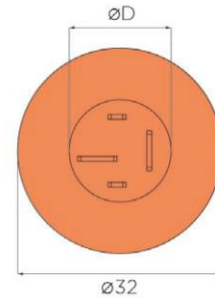
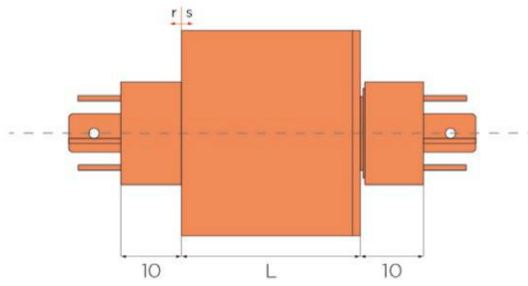
SVTS B 01

Model	Number of circuits					Dimensions			Fastons	
	Total	Power		Signals		Outside	D	L	Power	Signals
		14A	20A	2A	5A					
SVTS B 01-S-A-02/00	2	2	-	-	-	32	16	28	0.8x6.3	-
SVTS B 01-S-A-03/00	3	3	-	-	-	32	16	28	0.8x6.3	-
SVTS B 01-S-A-02/02	4	2	-	2	-	32	16	28	0.8x6.3	0.8x2.8
IP65 SVTS B 01-U-A-02/00	2	-	2	-	-	32	20	44,5	0.8x6.3	0.8x2.8
SVTS B 01-U-A-03/00	3	-	3	-	-	32	20	44,5	0.8x6.3	0.8x2.8
SVTS B 01-U-A-02/02	4	-	2	-	2	32	20	44,5	0.8x6.3	0.8x2.8
SVTS B 01-U-A-02/03	5	-	2	-	3	32	20	44,5	0.8x6.3	0.8x2.8

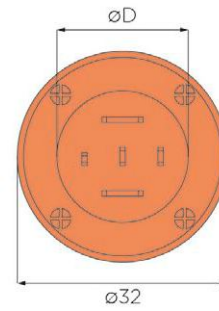
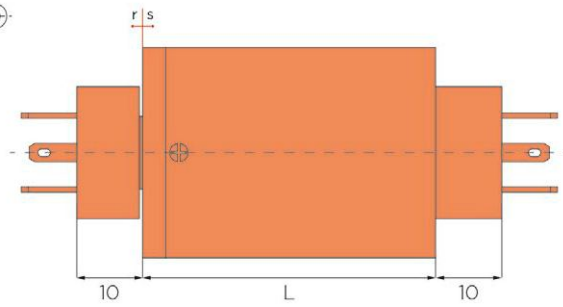
Transmission of		
Electric	Fieldbus	Fluidic (combined solutions)
Signals		
Power		

Customisations		
Cables	Mechanical design	Materials

All dimensions in millimeters, unless otherwise specified



SVTS B 01



SVTS B 01 - IP65



All dimensions in millimeters, unless otherwise specified

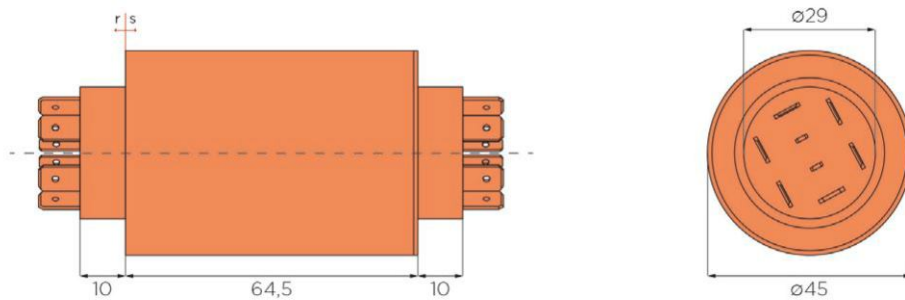
SVTS B 02

Model	Number of circuits					Outside	Fastons	
	Total	Power		Signals			Power	Signals
		14A	20A	2A	5A			
SVTS B 02-S-A-06/00	6	-	6	-	-	45	0.8x6.3	-
SVTS B 02-S-A-06/02	8	-	6	-	2	45	0.8x6.3	0.8x2.8

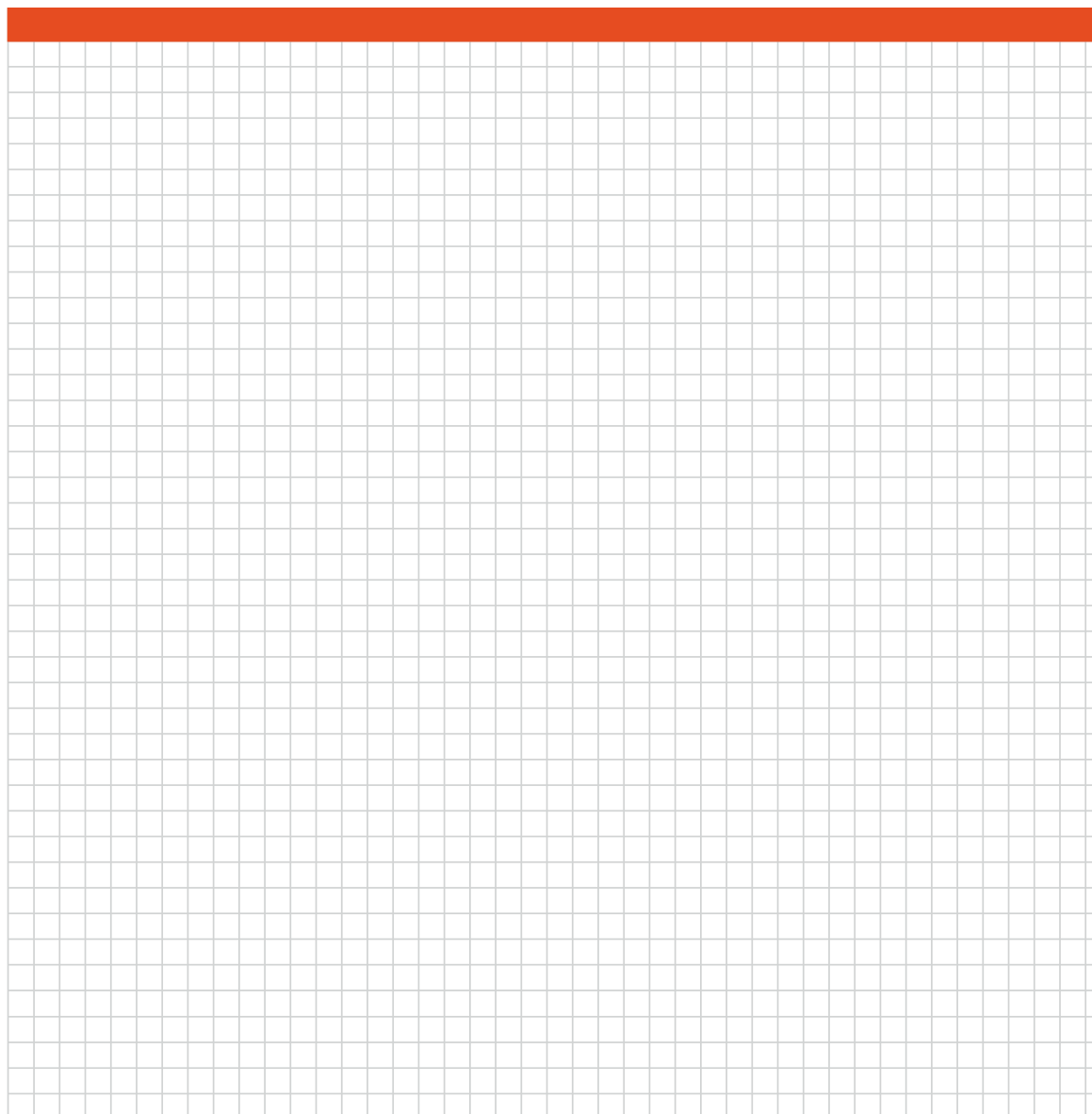
Transmission of		
Electric	Fieldbus	Fluidic (combined solutions)
Signals		
Power		

Customisations		
Cables	Mechanical design	Materials

All dimensions in millimeters, unless otherwise specified



SVTS B 02



All dimensions in millimeters, unless otherwise specified

Layout

